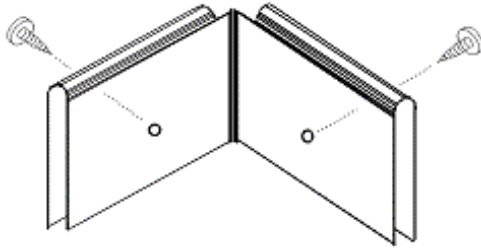


SFCLTCF

Required for 2'x2' lighting fixtures (luminaries) in a 2'x4' T-bar grid in addition to SFCLT clamps.



The SFCLTCF is designed to maintain the main runner/cross runner connection of the suspended ceiling system (T-bar). When installing a 2'X2' light fixture in a 2'X4' T-bar grid, or an AC louver in a 2'X4' T-bar grid, or light fixtures parallel to the main runners, the load must transfer to the supporting main runner through the cross runner. It is essential to install each SFCLTCF using the 2 #10 self-tapping screws provided in the package. The SFCLTCF can also be used to support box type fixtures.

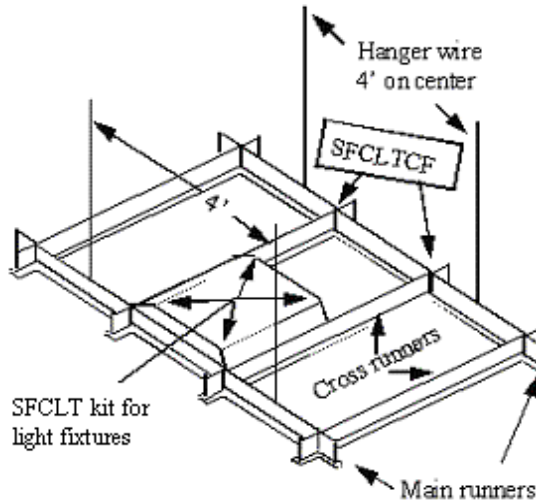
Note: Prior to installation of any SFCLT, check to make sure:

- The T-Bar grid is anchored properly.
- All cross runners are securely attached to the main runners.
- Main runners have No. 12 gauge wire hangers at 4' spacing.
- All wire hangers are properly tied with at least 3 turns.

U.S. Patent Nos.
5,941,029 and 6,029,414

If the existing T-Bar support system does not have No. 12 gauge wire hangers spaced 4' apart, attach two independent No. 12 gauge wires to two SFCLT clamps at opposite corners of the fixture. Holes are provided in the top of the SFCLT clamps for this purpose.

If the main runner connection (joint) is located between the two T-Bar hanger wires that are adjacent to the light fixture being secured with SFCLT clamps, a SFCLTCFS is required to re-enforce the main runner joint. The SFCLTCFS is a straight connector for joining two main runners.



WARNINGS:

1. These products shall be used only as illustrated and recommended in product instruction sheets (additional instruction sheets are available at www.erico.com). Misuse or misapplication may cause failure resulting in possible property damage or bodily injury.
2. These products must be used only in the manner depicted in the illustrations that accompany them and must not exceed load ratings.
3. Failure to observe these specifications may cause product malfunction resulting in property damage or bodily injury. ERICO products at the time of shipment are warranted to conform to any applicable written description furnished to the Buyer by ERICO, and to be free from defects in material and workmanship. NO OTHER WARRANTY, WHETHER EXPRESSED OR IMPLIED, (INCLUDING ANY WARRANTY OF MERCHANTABILITY OR FITNESS), SHALL EXIST IN CONNECTION WITH THE SALE OR USE OF ANY ERICO PRODUCT.
4. All instructions must be completely followed to ensure proper and safe operation.
5. All pipe supports, hangers, intermediate components and structural attachments must ONLY be used as described herein and are NEVER to be used for any other purpose.

The buyer and/or installer is responsible for:

- a. Application in conformance to all governing codes.
- b. The integrity of structures to which the products are attached, including their capability of safely accepting the loads imposed, as evaluated by a qualified engineer.
- c. Using appropriate industry standard hardware as noted above.

SAFETY WARNING:

SAFETY INSTRUCTIONS: All governing codes and regulations and those required by the job site must be observed. Always use appropriate safety equipment such as eye protection, hard hat, and gloves as appropriate to the application.

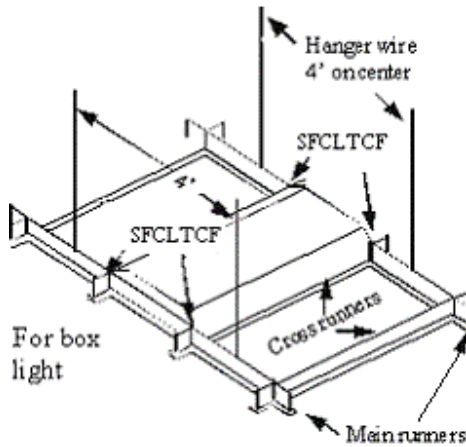


CADDY, CADWELD, CRITEC, ERICO, ERIFLEX, ERITECH and LENTON are registered trademarks of ERICO International Corporation

TECHNICAL SUPPORT:
www.erico.com

cfs358_a.doc 1 of 2 ©2005 ERICO, INC.





Assembly Instructions:

1. Slide each SFCLTCF onto the corner of the T-bar where the cross runner connects to the main runner.
2. Locking pliers can assist with the positioning and holding of the SFCLTCF while inserting the screws.
3. Securely install the two screws provided into the holes on each clamp, from the flap side of the clamp.

For Box Type Fixtures:

1. Place the fixture in the T-Bar ceiling runners. Note the sides and ends of the light fixture will be tight to the main runners and cross runners.
2. Slide each SFCLTCF onto the corner beside the fixture where the T-bar cross runner connects to the main runner. The main runner flange can point away from the light fixture on the main runner so you will not have to drill a hole into the end of the light fixture for the screw.
3. A C-clamp can assist with the positioning and holding of the SFCLTCF while inserting the screws.
4. Drill a 1/8" hole into the side of the light fixture using the hole in the SFCLTCF as a template. Then insert the screw from the inside of the light fixture out through the light fixture, SFCLTCF, and cross runner.
5. Repeat step 4 on all four corners of the light fixture.
6. Insert the screws, into the holes provided, from the flap side of the main runner flange of the clamp on all four corners of the light fixture.
7. Tile Installation: Install all the tiles adjacent to the light fixture first. Insert the end or side of the tile closest to the fixture, then press the tile into position. In some cases a slight trimming of the tile may be required where it wedges against the clips.

SFCLTCF Seismic Fixture Clamp

The SFCLTCF is designed for use with any type of non-fire rated suspended, T-bar ceiling.

Approved and Listed:

Warnock Hersey
 ETL
 Conforms to UL 1598
 Certified to CSA C22.2 NO. 250.00 Component Only
 Meets the requirements of IBC 2000 Section 1621.2.5.2.2,
 UBC 1997 Section 25.213,
 NEC 2002 Article 410.16(c),
 NBC 1995 4.1.9.1.15-19,
 CEC 2002 Sections 30-302,
 CISCA 0-2 / 3&4
 ASTM E 580.
 Complies with Acceptance Criteria 184 (AC184)

