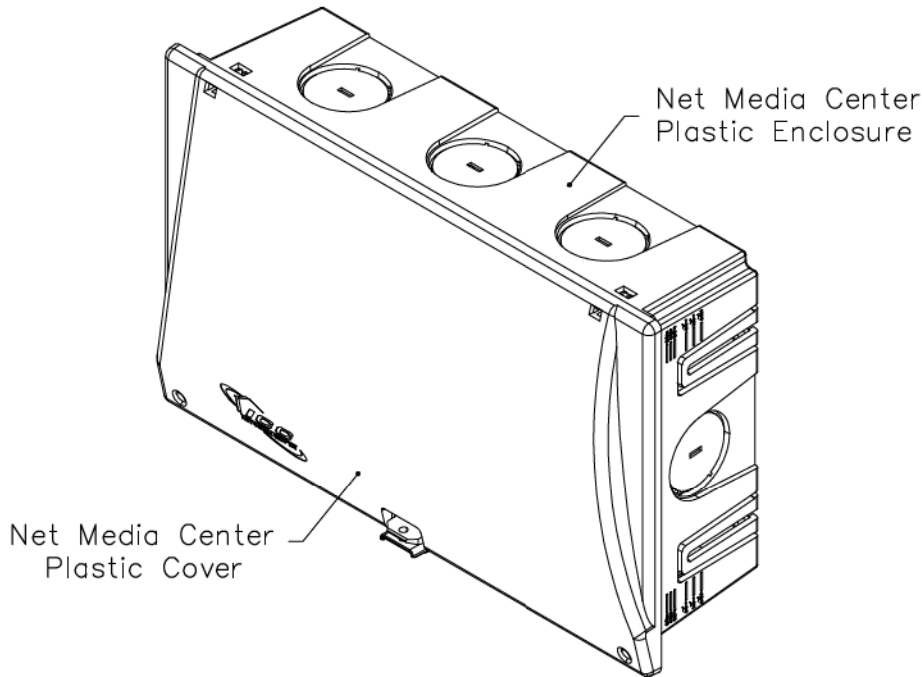


9" Plastic Net Media Center

PRODUCT SPECIFICATION

Package Includes:

- A. 9" Net Media Center Plastic Enclosure, 1 pc
- B. Net Media Center Plastic Cover, 1 pc
- C. #6-32 X 7/8", Pan Head, Machine Screw, Phillips, Zinc Plated Steel, 2 pcs
- D. #10-24 X 1", Wood Screw, 4 pcs
- E. Installation Instructions, 1 pc



Features and Benefits:

- Designed with high quality, lightweight plastic.
- Designed to serve as the central distribution point for voice, data, video, audio, and security services for smaller residential structured wiring systems.
- Allows for internal modules to be mounted horizontally or vertically.
- Integrated snap-in module system enables users to quickly insert or move the internal modules.
- Includes 3 top, 3 bottom, 4 rear, and 2 side knockouts for routing cables.
- Includes a knockout for an optional AC power outlet (not included) to provide power distribution.
- Fits between 16" wall mounting spaces or can be wall mounted.
- Designed with a pad lock option for additional security (pad lock not included).
- Accommodates all of ICRES residential modules.

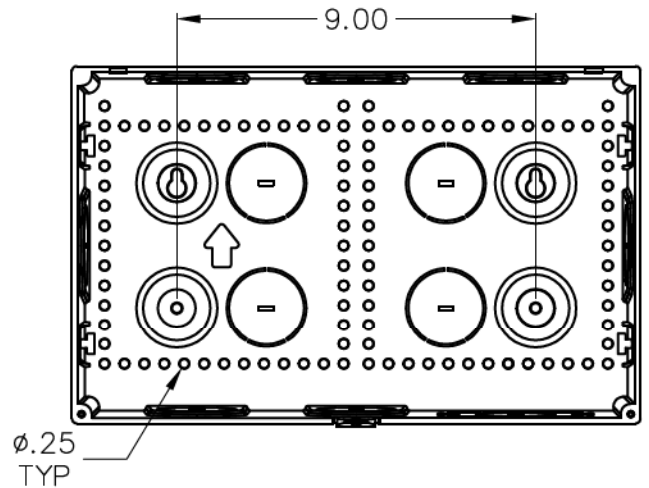
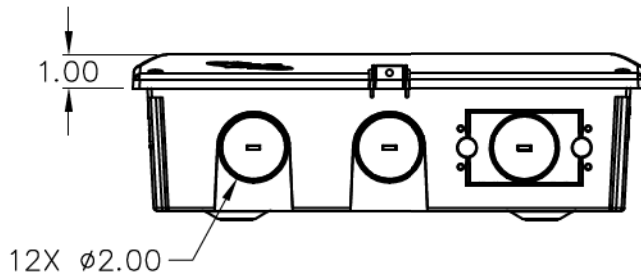
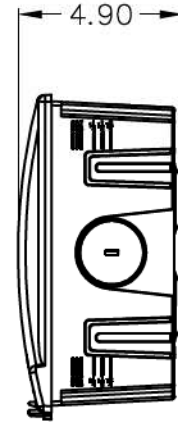
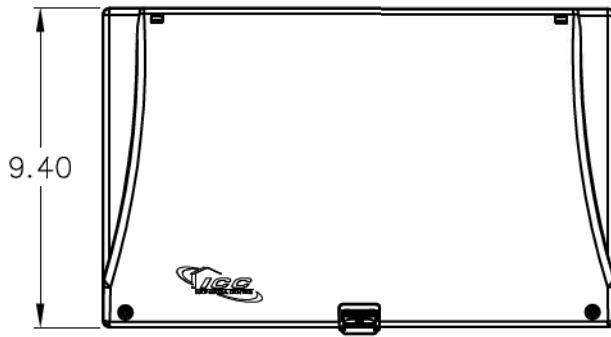
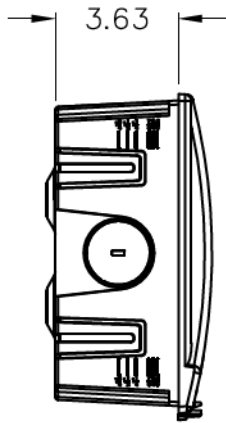
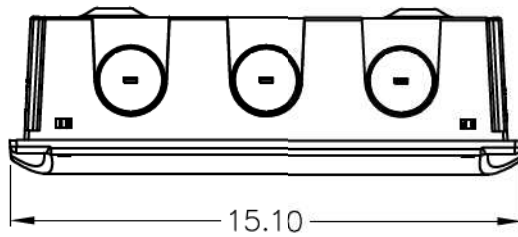
NET MEDIA CENTER, PLASTIC, 9"

ITEM NO.	ICRESDC9PE
DWG NO.	PSRESDC9PE

REV.	B
PAGE NO.	1




CUSTOMER CARE / TECHNICAL SUPPORT * CSR@ICC.COM / 888-ASK-4ICC (275-4422) * 14700 Alondra Blvd., La Mirada, CA 90638 * www.icc.com



NOTE: UNLESS OTHERWISE SPECIFIED

- 1. MATERIAL: ABS UL 94V-0
- 2. COLOR: WHITE
- 3. FINISH: MATTE

NET MEDIA CENTER, PLASTIC, 9"		 PremiumProducts <i>ProvenPerformance</i> <i>CompetitivePrices</i>	
ITEM NO.	ICRESDC9PE		REV. B
DWG NO.	PSRESDC9PE	PAGE NO.	2

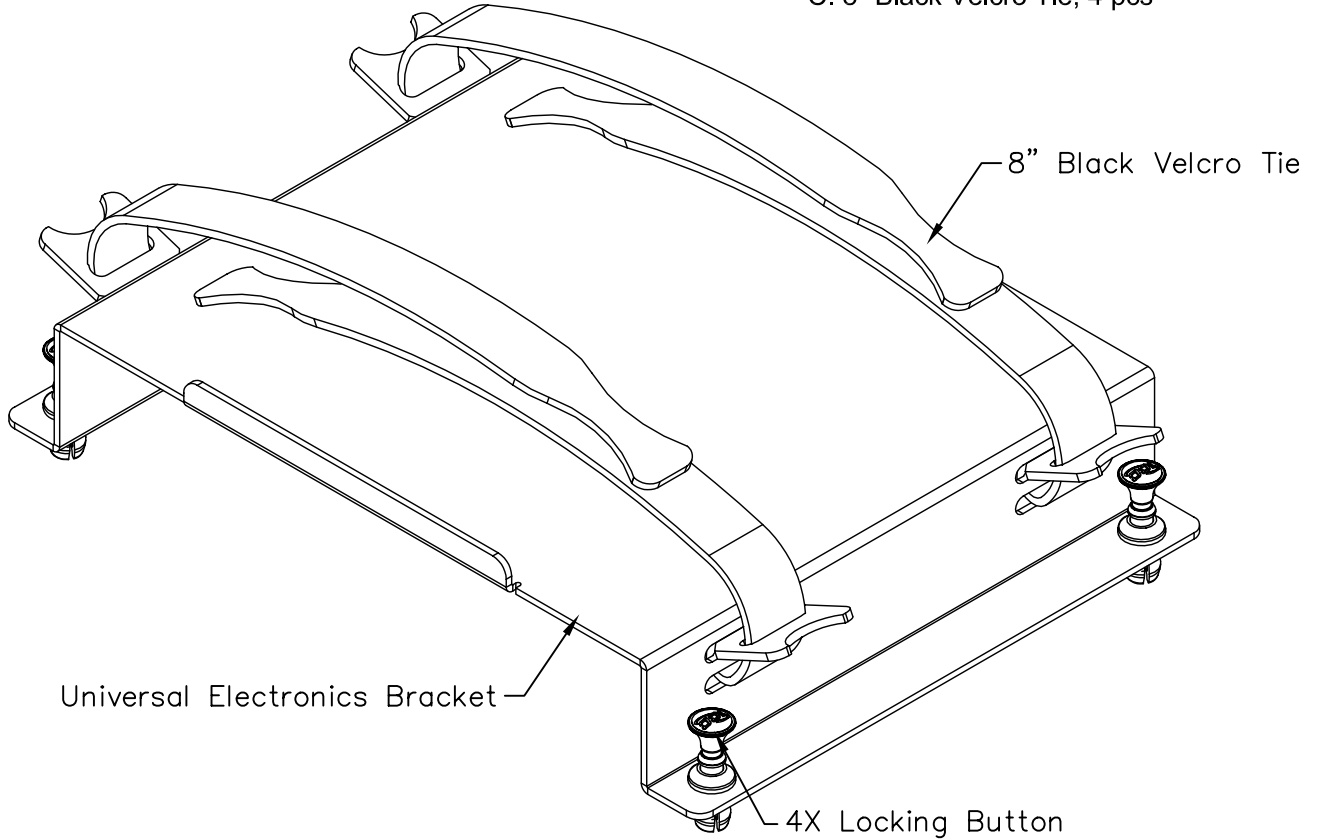
CUSTOMER CARE / TECHNICAL SUPPORT * CSR@ICC.COM / 888-ASK-4ICC (275-4422) * 14700 Alondra Blvd., La Mirada, CA 90638 * www.icc.com

Universal Electronics Bracket

PRODUCT SPECIFICATION


Package includes:

- A. Universal Electronics Bracket, 1 pc
- B. Locking Button, 4 pcs
- C. 8" Black Velcro Tie, 4 pcs

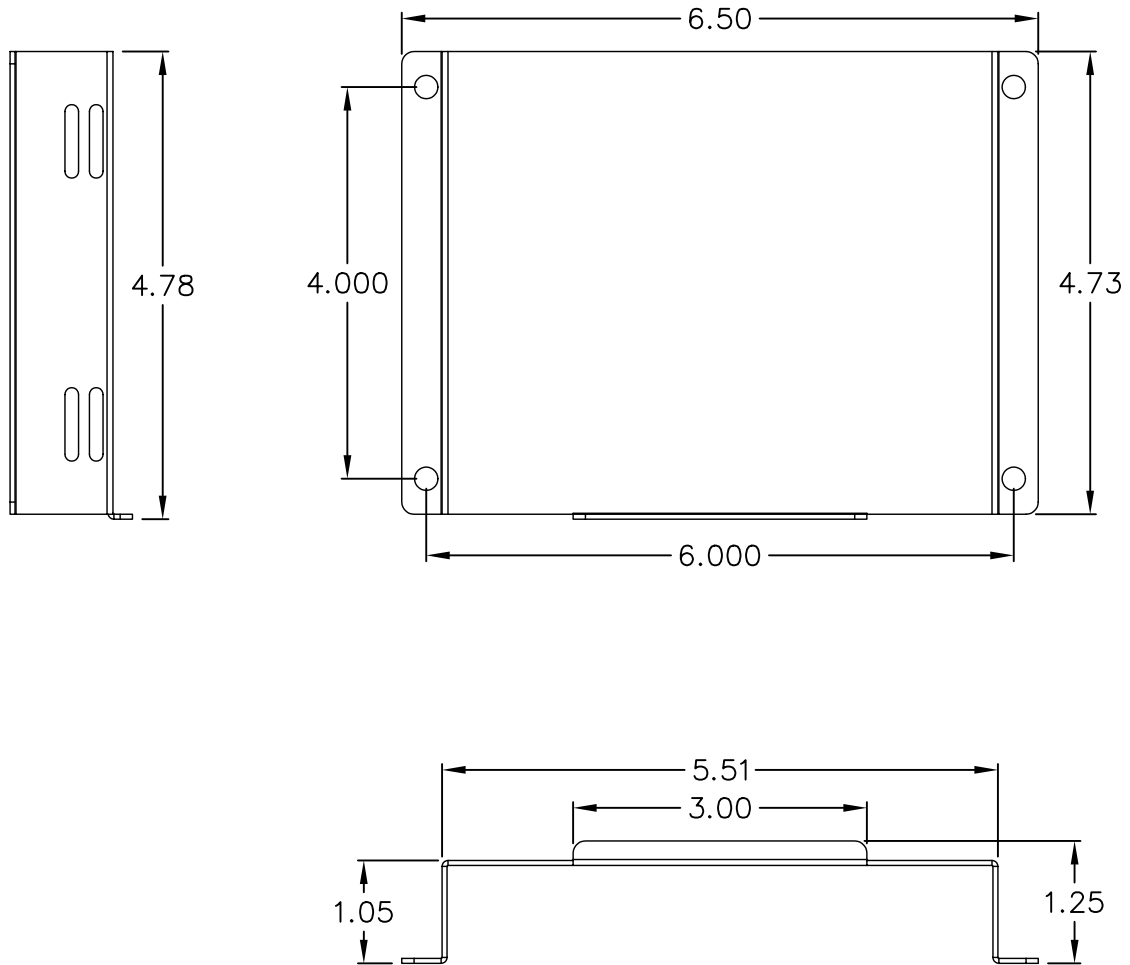


Features and Benefits:

- Designed with steel construction, white powder coated, lightweight and sturdy
- Designed to hold cable or DSL modems, routers, switches, and other electronics
- Bottom lip to help support equipment
- Comes with velcro ties to hold electronics securely in place
- Fits all ICRESDC 14", 21", 28", and 42" resi distribution center enclosures


RESI BRACKET, ELECTRONICS, UNIVERSAL			 PremiumProducts ProvenPerformance CompetitivePrices
ITEM NO.	ICRESDCBUM	REV. A	
DWG NO.	PSRESDCBUM	PAGE NO. 1	

CUSTOMER CARE / TECHNICAL SUPPORT * CSR@ICC.COM / 888-ASK-4-ICC (275-4422) * 14700 Alondra Blvd., La Mirada, CA 90638 * www.icc.com



NOTE: UNLESS OTHERWISE SPECIFIED

- 1. BRACKET:
 - A. MATERIAL: 18 GA CRS
 - B. SURFACE FINISH: WHITE MATTE COAT
- 2. LOCKING BUTTON:
 - A. MATERIAL: NYLON 6/6, UL 94V-0

RESI BRACKET, ELECTRONICS, UNIVERSAL			
ITEM NO.	ICRESDCBUM		REV. A
DWG NO.	PSRESDCBUM		PAGE NO. 2

CUSTOMER CARE / TECHNICAL SUPPORT * CSR@ICC.COM / 888-ASK-4-ICC (275-4422) * 14700 Alondra Blvd., La Mirada, CA 90638 * www.icc.com