

Installation Instructions

Model Number 1055-AN

Assembly Components:

- Ceiling enclosure Model 1055-AN assembly – 1 each
- #6 - 32 eye bolt – 4 each
- #10 - 32 screw – 2 each
- Keys for access door lock – 2 each

If any of these items are missing, contact your Oberon representative.

Find a flat work surface to assemble the *ceiling enclosure*, *access point* and *antenna(s)* prior to mounting in ceiling.

Step 1 – Place the *ceiling enclosure assembly* on the work surface with the keyed doorway unlocked. Install the 4 eye bolts from the topside of the access point enclosure. The *eyebolts* will be used to secure the enclosure with grid wires.

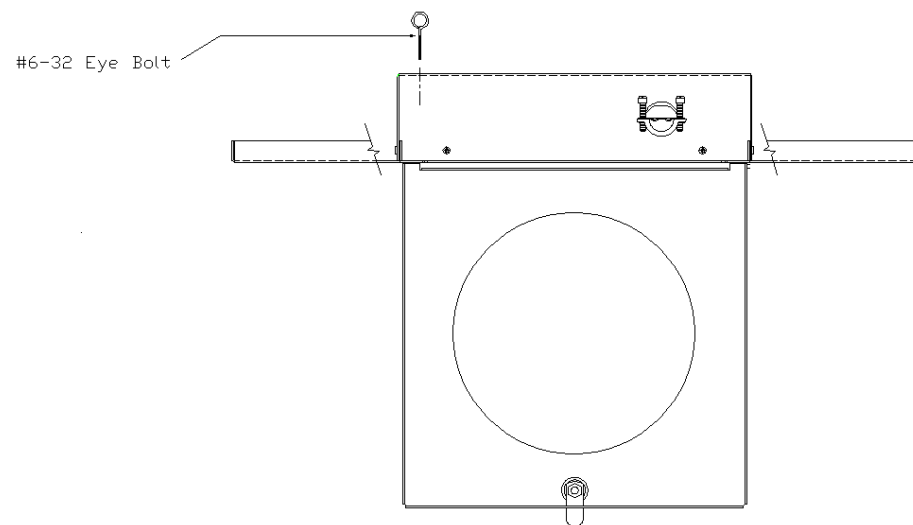
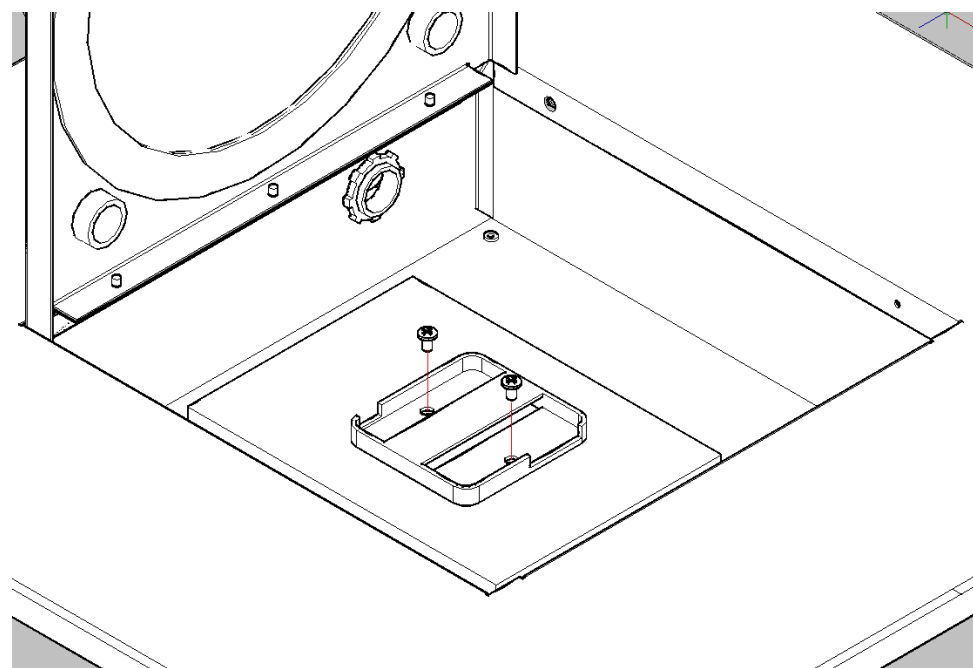


Figure 1 - Installation of eyebolts



Aruba Mounting Plate Installation

Step 2 – Open the locking door and place the Aruba Mounting Plate (Aruba Part Number AP-120-MNT, purchased separately from Aruba) on the enclosure's mounting plate as shown with the wider slotted wall facing the lock side of the enclosure and the narrower slotted wall facing the hinged side of the enclosure. Secure the Aruba mounting in place using two (2) #10-32 screws (Ref. Figure 2).

Figure 2 – Mounting of Aruba AP-120-MNT in Oberon 1055-AN enclosure

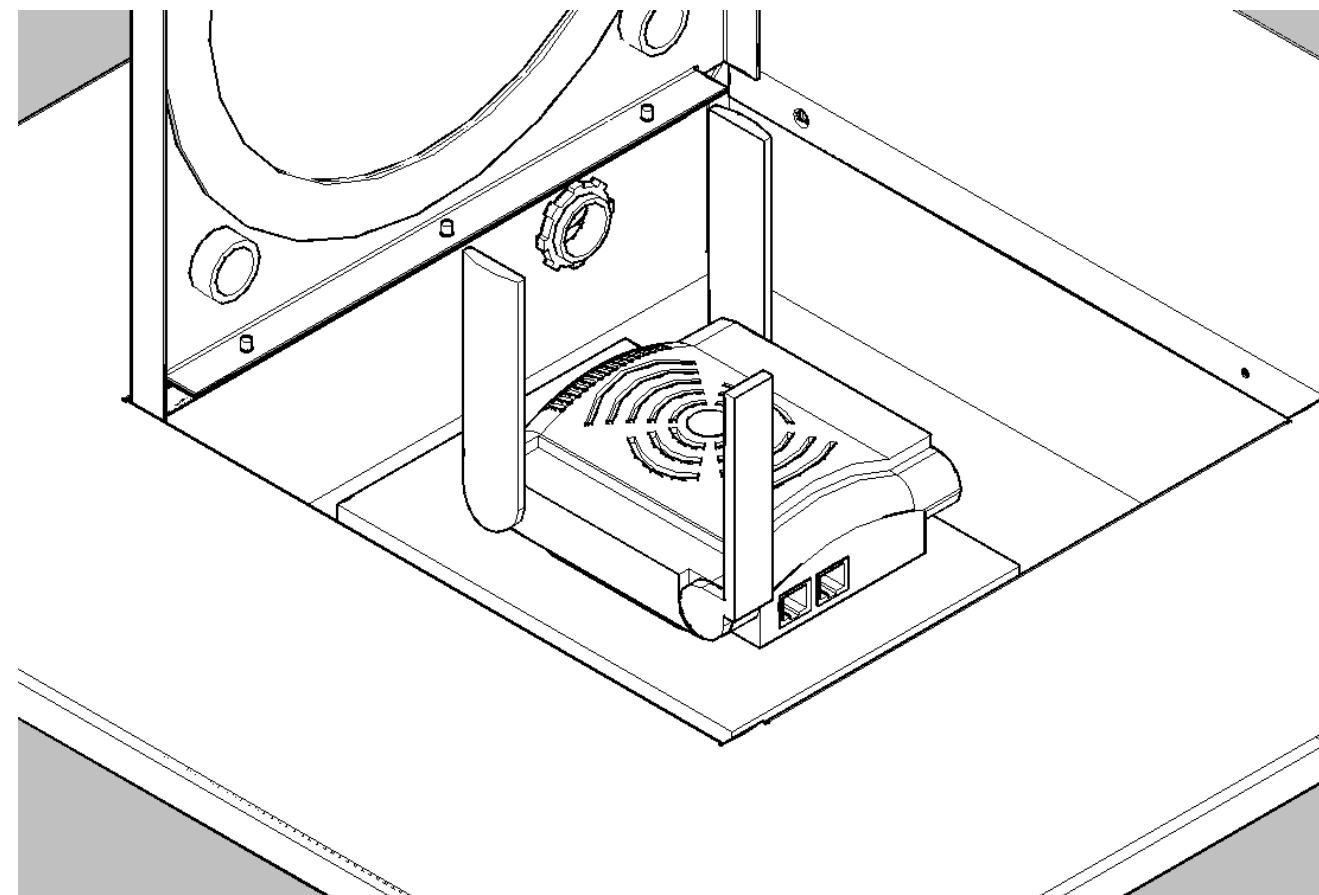


Figure 3 – Proper orientation of the Aruba AP in the 1055-AN enclosure

Aruba Access Point Installation

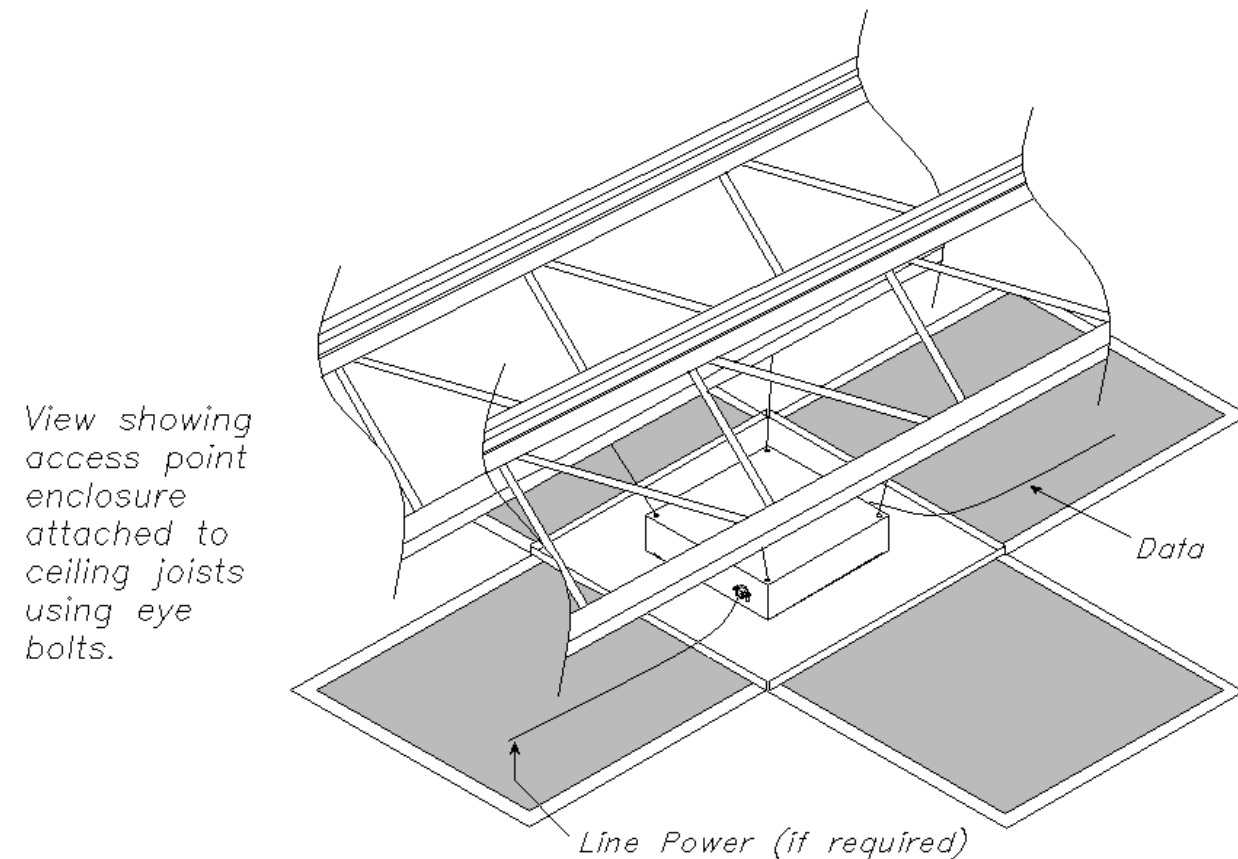
Step 3 – The Aruba access point is to be installed in the 1055-AN enclosure so that the side with two antennas is nearest the hinged side of the enclosure and the side with the single antenna and Ethernet ports are nearest the locking side of the enclosure (Ref. Figure 3).

Step 4 – Locate the Aruba AP over the previously installed Aruba mounting plate by first rotating the AP the approximately a 30° counterclockwise, depress the access point until the bottom surface of the access point is in contact with the Aruba mounting plate and rotate approximately 30° clockwise until it snaps into place. (NOTE: Also reference the instructions included with the Aruba AP-120-MNT kit).

Step 5 – Remove the ceiling tile and replace it with the completed *access point enclosure* assembly.

Step 6 – Use grid wire (customer supplied) to attach the *enclosure* to the ceiling. Attach one end of the wire to the *eye bolts* and the other end to a permanent structure within the ceiling such as a ceiling joist.

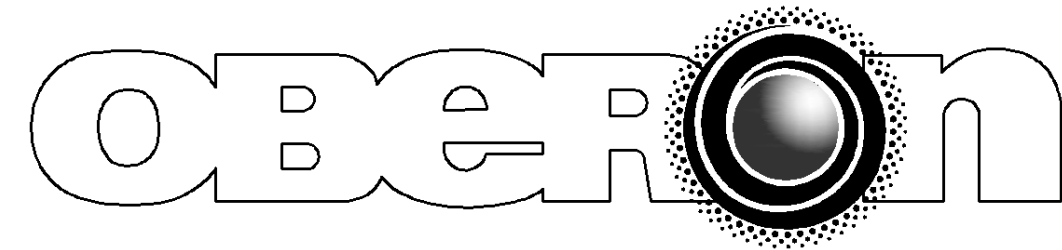
⚠️IMPORTANT**** - *This is an important safety feature that could prevent human injury or damage to the access point should the unit become dislodged from the ceiling.*



Step 5 – Run the data and power cable (if required) through the cable clamps located on sides of the *access point enclosure*. In order to maintain a separation of signal and power, install the data and power cables through opposite sides of the enclosure utilizing the two knock-outs provided.

Step 6 – Attach data and power cables to the *access point or camera* through the access door then tighten the screws on the cable clamp.

Step 7 – Close and lock the access door. The installation is now completed.



MODEL 1055-AN

Installation Instructions

**** WARNING ****

Please thoroughly read the product warning below before installation to provide for a safe work environment.

1. Support guide wires must be used for the installation of this product. Acoustical Ceiling grid work is not designed to support the weight of the enclosure. Four holes placed holes in the back of the enclosure are provided for the installation of eye bolts. Supporting guide wires should be attached to these eye bolts.
2. When closing the enclosure access door, be sure that the cam lock is completely engaged to prevent the access door from accidentally swinging open.
3. When opening the enclosure door, be sure to support the door to prevent the door from accidentally falling open.