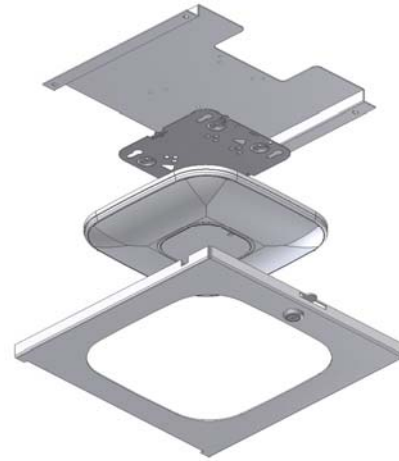


Model WC-AP3500-X

Ceiling Enclosure Designed to UL 2043

The Model WC-AP3500-X wireless LAN access point mounting solution is a locking ceiling tile insert designed specifically to secure the Cisco 1040/1140/1260/3500/3600 series access points while satisfying UL2043 criteria for heat and visible smoke release in air-handling spaces. This aesthetic, white powder-coated all steel enclosure has a bracket in the door to which the access point is attached. When the door is closed, the access point is locked in place and the enclosure preserves the UL2043 criteria. Installation requires a square opening to be cut into the ceiling tile or hard ceiling. The enclosure is supported by two backside tile bridges, and supporting grid wires attached to the structural ceiling support.



Model WC-AP3500-X shown with Cisco 3500i wireless access point (not included)

Specifications:

- Ceiling tile insert designed specifically for the Cisco 1040/1140/1260/3500/3600 series wireless APs
- UL Listed and designed to meet NEC300-22 and 300-23 for plenum installations
- Meets UL 2043 Fire Test for heat and visible smoke release in air handling spaces; Intertek report #3121942SAT-002
- OSHPD approved. OPA # 1638
- Door mounting features for Cisco P/N AIR-ANT2430V-R and AIR-ANT5140V-R antennas only
- Construction: Textured white powder-coated steel, 16 ga. backbox, 14 ga. door
- Fully hinged locking door, keyed alike
- Size: Flange is 14" x 14", AP Enclosure is 12" x 12" x 3.75" deep
- Weight: 11lbs (not including access point or antennas)
- Enclosure must be supported by the building ceiling structural system, not tile gridwork.

Model WC-AP3500-X Includes:

- Mounting screws & hardware
- (4) Suspension wires, and (2) tile bridges
- ½" and 1" (trade-size) cable openings for power and data cable in the back-box
- ½" Conduit nipple
- Mounting Instructions

