

# Installation Instructions

Model Number WC-AP3500-X

## Assembly Components:

- Ceiling enclosure Model WC-AP3500-X assembly – 1 each
- Ceiling tile bridge – 2 each
- #8-32 X 3/8 " screw – 4 each
- #8-32 nut – 4 each
- #8-32 eyebolt – 4 each
- 1" Conduit Nipple – 1 each
- 1" Lock Nut – 1 each

If any of these items are missing, contact your Oberon representative.

Find a flat work surface to assemble the *ceiling enclosure*, *access point* and *antenna(s)* prior to mounting in ceiling.

Step 1 - Cut a 12.5" x 12.5" opening in the center of a ceiling tile (not included – ref. *Figure 1*).

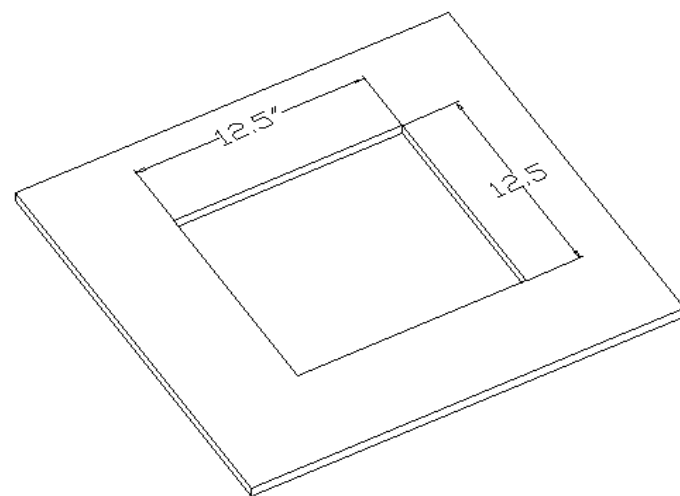


Figure 1 - Cutting ceiling tile.

Step 2 – Place the *ceiling enclosure assembly* on the work surface. Install the 4 eye bolts from the topside of the access point enclosure. The *eyebolts* will be used to secure the enclosure with grid wires. Remove one of the 1" trade size hole cover on the side of the enclosure and install the 1" conduit nipple (the side on which the conduit nipple is to be installed will be determined by the location the enclosure is to be installed and direction from which conduit will be brought into the enclosure – ref. *Figure 2*).

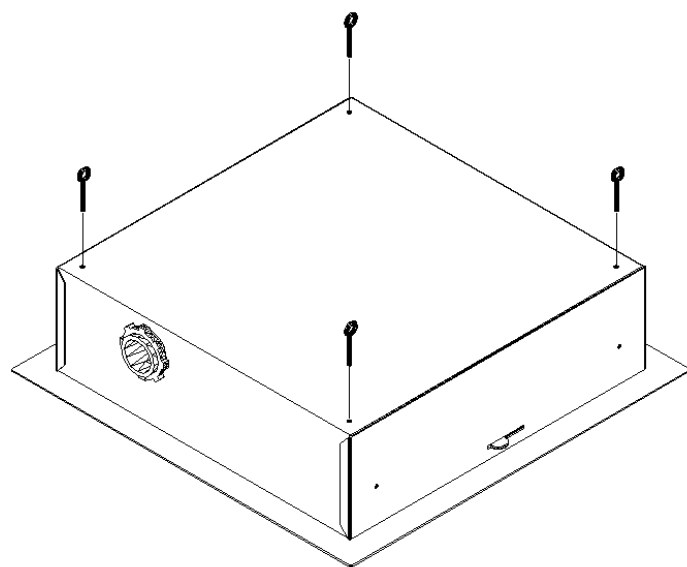


Figure 2 - Hardware installation.

Step 3 – Lay ceiling tile over the enclosure assembly such that the previously cut opening in the ceiling tile is equally spaced around the outside of the enclosure (ref. *Figure 3*). Place the ceiling tile bridges along each side of the enclosure and attach using a #8-32 screw. Prior to tightening, be sure to properly align the tile bridges so the ends of the tile bridges align with the outside edge of the ceiling tile. Once the tile bridges are properly aligned, press the shoulder of the tile bridge down firmly against the tile and then securely tighten the screws. This is to assure that there is minimal gap between the enclosure's flange and the ceiling tile once it is placed in the ceiling.

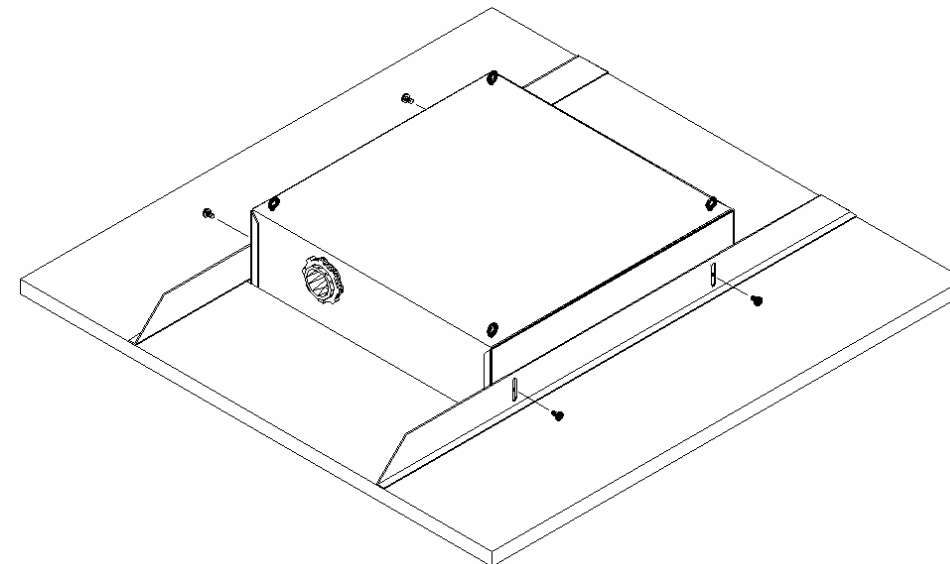


Figure 3 - Installation to ceiling tile.

Step 4 – Turn the enclosure/ceiling tile assembly over, unlock and open the door. Attach **Cisco AIR-AP-BRACKET-1** to the door bracket with (4) #8-32 nuts. Next, slide the access point onto the **Cisco AIR-AP-BRACKET-1**. Secure the door bracket to the door using the (4) #10-32 nuts provided (ref. *Figure 5*). Make sure the door is closed and locked before placing in the ceiling.

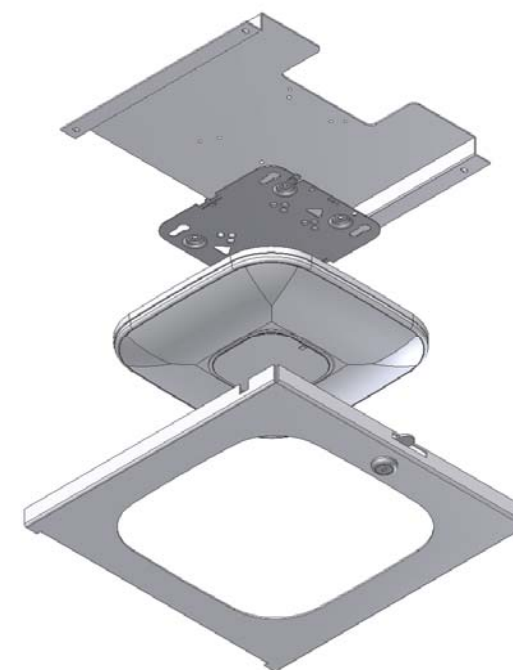
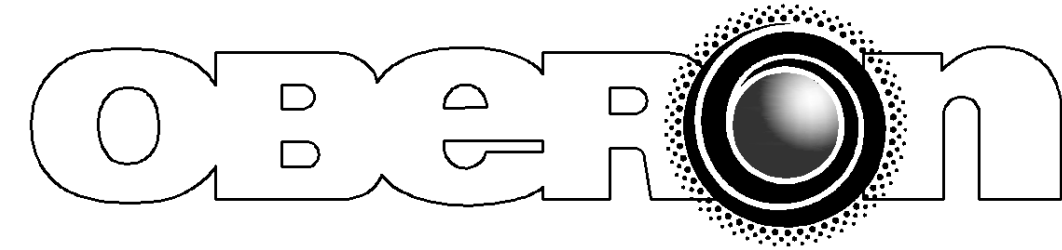


Figure 5 – Exploded door view.



## MODEL WC-AP3500-X

### Installation Instructions

## \*\*\*\* WARNING \*\*\*\*

**Please thoroughly read the product warning below before installation to provide for a safe work environment.**

1. Support guide wires must be used for the installation of this product. Acoustical Ceiling grid work is not designed to support the weight of the enclosure. Four holes placed holes in the back of the enclosure are provided for the installation of eye bolts. Supporting guide wires should be attached to these eye bolts.
2. When closing the enclosure access door, be sure that the cam lock is completely engaged to prevent the access door from accidentally swinging open.
3. When opening the enclosure door, be sure to support the door to prevent the door from accidentally falling open.

Step 5 – Remove the ceiling tile from the location where the access point enclosure is to be placed (if necessary) and replace with the assembled unit (ref. Figure 6). Use a minimum of two separate grid wires to attach the *access point enclosure* to the ceiling. Attach one end of the wire to the *eyebolts* and the other end to a permanent structure within the ceiling such as a ceiling joist.

**⚠ \*\*IMPORTANT\*\* - This is an important safety feature that could prevent human injury or damage to the access point should the unit become dislodged from the ceiling grid work.**

View showing access point enclosure attached to ceiling joists using eye bolts.

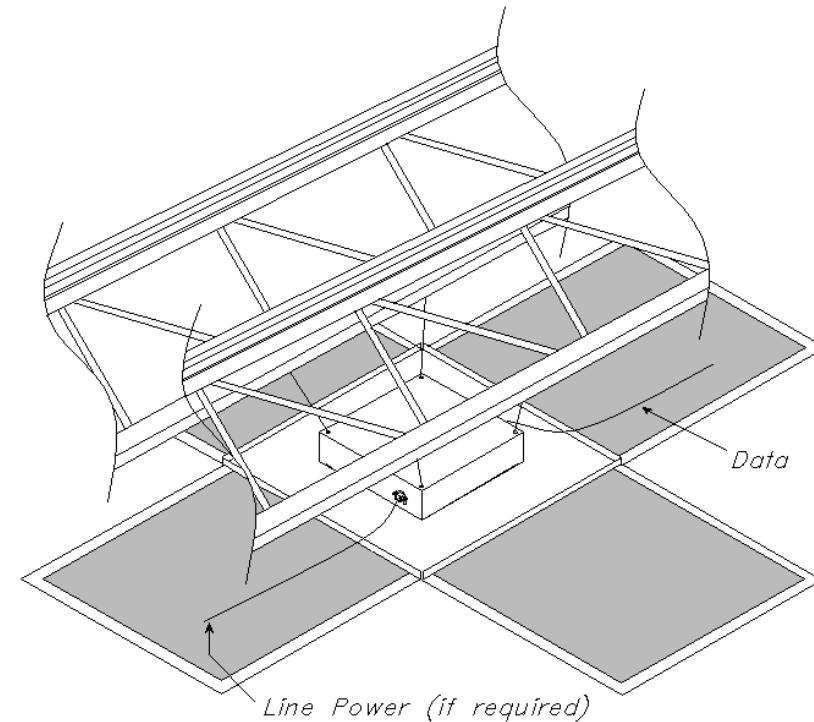


Figure 6 - Ceiling installation.

Step 6 – Once the assembly has been installed in the ceiling and secured using grid wire, open the door and run the Ethernet cable into the enclosure through the conduit nipple located on the side of the *access point enclosure* and attach to the access point prior to installing on mounting plate.