

Installation Instructions

Model Number 1072-00

Assembly Components:

- Ceiling enclosure Model 1072-00 assembly – 1 each
- ½" Trade size cable clamps – 1 each
- #6 – 32 x 3/16 screw – 4 each
- #10 – 32 x 3/8 screw – 4 each
- Electrical Junction Box – 1 each
- Electrical Receptacle – 1 each
- Electrical Receptacle Cover – 1 each
- 12 Gauge Wire – 4 each
- Installation Instructions – 1 each
- Keys for access door lock – 2 each

If any of these items are missing, contact your Oberon representative.

Find a flat work surface to assemble the *telecom ceiling enclosure* and any other network/cellular components prior to mounting in ceiling.

Step 1 – Place the *telecom ceiling enclosure assembly* on the work surface with the door facing up and keyed doorway unlocked. If applicable, remove patch panel and fiber ingress cover plates (Figure 1) located on the outside edge and back of the box (near key lock) and install patch panel and CCH style fiber optic adapter panel according to the manufacturer's specifications.

⚠️IMPORTANT**** - If patch panel or adaptor panel are not used, the covers should remain in place.

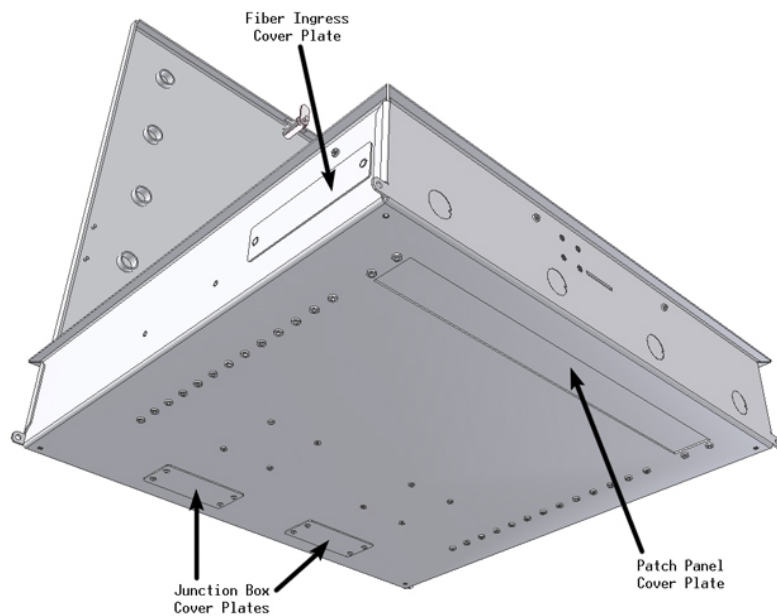


Figure 1

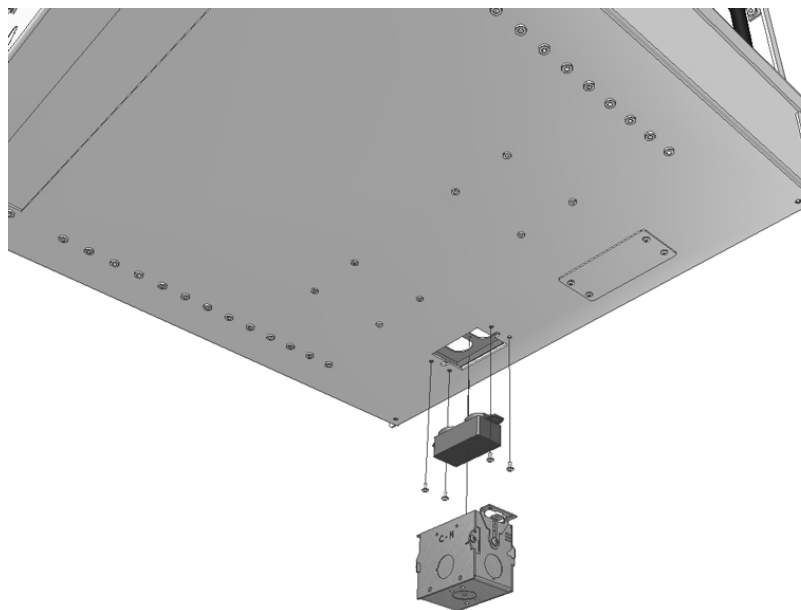


Figure 2

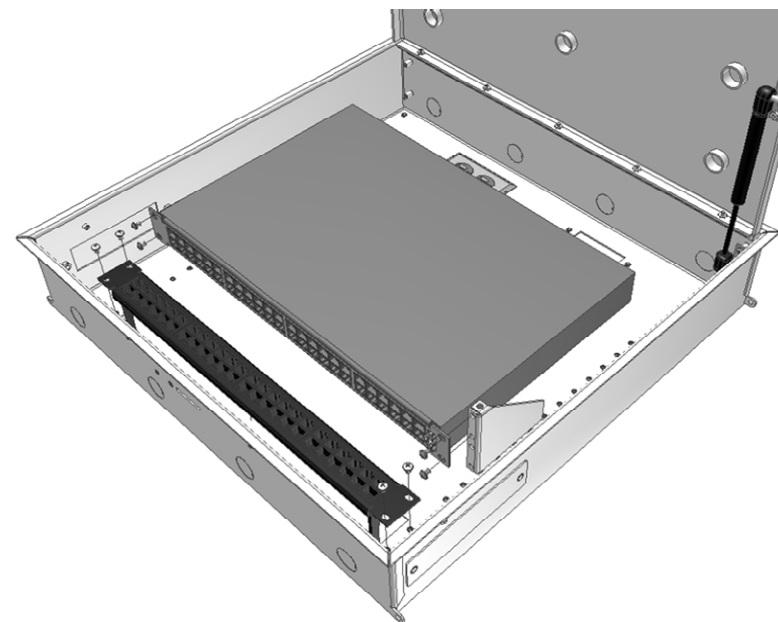


Figure 3

Step 2 – Attach the electrical junction box to the cutout located near the back of the enclosure (Figure 2) with four (4) #6-32 screws.

⚠️IMPORTANT**** - The electrical junction box must be attached to the back box with all four (4) screws for it to be grounded properly.

Step 3 – If using the optional rack mounting brackets (Oberon P/Ns 1611 and 1612, not included), adjust the position of the mounting brackets to allow the equipment power cord to be plugged into the receptacle. Install all rack mounted equipment to the mounting brackets with four (4) #10-32 screws. The maximum height the enclosure can accommodate is 2U and the maximum length is 14". The mounting brackets can be repositioned to fit networking equipment of various lengths (Figure 3).

Step 4 – If attaching wireless access points or cellular devices use the optional universal mounting plate (Oberon P/N 1031, not included). The universal mounting plate will have a hole legend to show you where to mount the access point. Remove hole plugs

to attach antennas to the door of the enclosure (Figure 4).

The assembled unit is now ready for ceiling installation.

Step 6 – Use minimum 12-gauge grid wire (included) to support the *telecom enclosure*. Attach one end of the wire to the eye tabs located along the edge of the back box and the other end to a permanent structural component of the building such as a joist. A supporting grid wire should be attached to all four corners.

⚠️IMPORTANT**** - This is an important safety feature that could prevent human injury or damage to the equipment should the unit become dislodged from the ceiling.

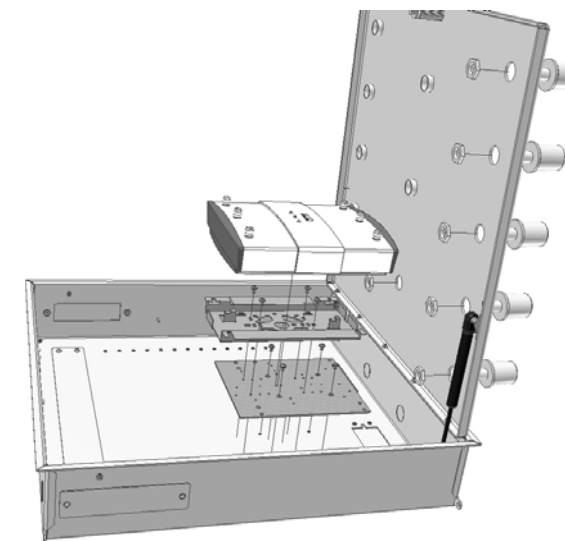
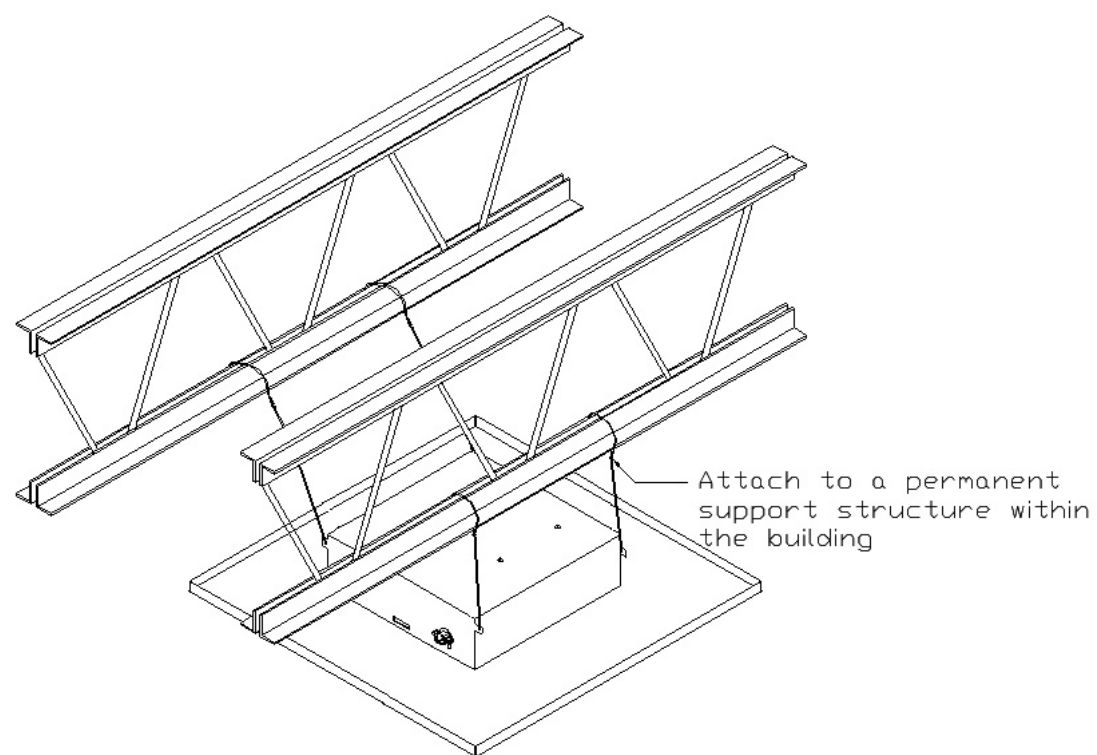


Figure 4



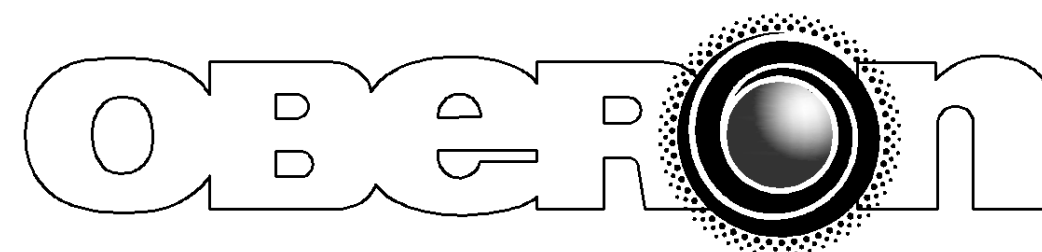
Step 7 – Once the *telecom enclosure* is installed in the ceiling, run the power cable to the electric junction box. The junction box/receptacle should be wired according to electrical codes.

⚠️IMPORTANT**** - *This procedure should be done by a trained electrician.*

Step 8 – Attach any additional data cables as necessary and power up the networked devices (*these should be plugged into the power outlet installed in the telecom enclosure*).

Step 9 – Close and lock the access door. The installation is now completed.

Note: The Oberon Model 1072-00 telecom enclosure is specifically designed to be used with networking equipment no bigger than 2U deep and 14” in length.



MODEL 1072-00

Installation Instructions

**** WARNING ****

Please thoroughly read the product warning below before installation to provide for a safe work environment.

1. Support guide wires must be used for the installation of this product. Acoustical Ceiling grid work is not designed to support the weight of the enclosure. Four eye tabs placed in the back of the enclosure are provided for the supporting guide wires that should be attached to these eye tabs.
2. When closing the enclosure access door, be sure that the cam lock is completely engaged to prevent the access door from accidentally swinging open.
3. When opening the enclosure door, be sure to support the door to prevent the door from accidentally falling open in case of gas spring failure.