


Step 5 –Place the access point in the opening of the AP mount (reference *Figure 4*) with the access points LED lights opposite the key lock. If the key was previously turned the proper direction, the access point should drop in and self-center.

 NOTE: If the access point does not drop fully into the opening, turn the key 180° and repeat step 5.

Step 6 – After verifying that the access point is properly seated within the opening, turn the key 180° to lock the Access Point in place. The key should require minimal effort to turn. If excessive force is required to turn the key, verify that the access point is properly seated within the opening and then re-try turning the key.

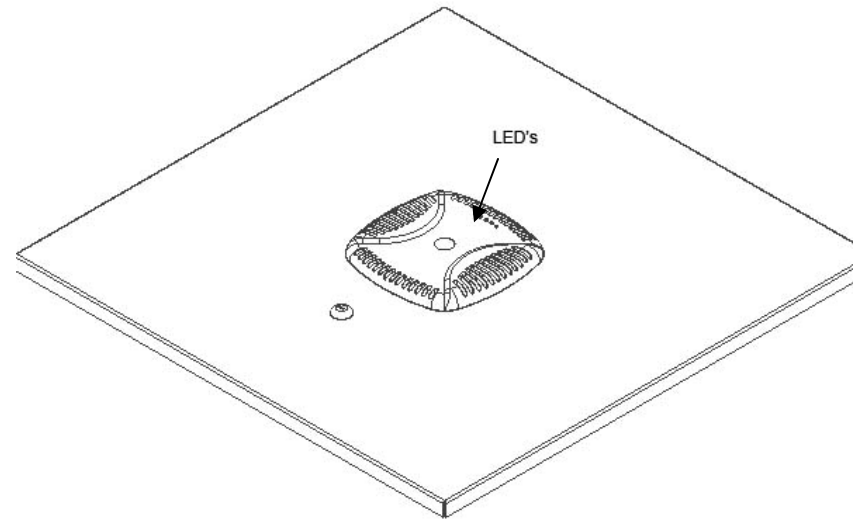


Figure 4 – Proper positioning of AP within the 1066 enclosure. Note that the access point should be located within the AP mount so that the LED is located facing away from the lock



MODEL 1066-00

Installation Instructions

****** WARNING ******

Please thoroughly read the product warning below before installation to provide for a safe work environment.

1. Support guide wires must be used for the installation of this product. Acoustical Ceiling grid work is not designed to support the weight of the enclosure. Four eye tabs placed in the back of the enclosure are provided for the installation of the grid wire. Supporting guide wires should be attached to these eye tabs.
2. When closing the enclosure access door, be sure that the cam lock is completely engaged to prevent the access door from accidentally swinging open.
3. When opening the enclosure door, be sure to support the door to prevent the door from accidentally falling open.

Installation Instructions

Model Number 1066-00

Assembly Components:

- Ceiling AP mount, Model 1066-00 assembly – 1 each
- Keys for access door lock – 2 each
- Grid Wire – 4 each

If any of these items are missing, contact your Oberon representative.

ITEMS TO NOTE:

Item 1 – The back side of the enclosure has a cable clamp that will be used to bring in the Ethernet cable

Item 2 – Each corner of the back box has a tab with a hole through it. These tabs are to be used to attach the enclosure to a permanent structure within the ceiling using grid wire or other connecting devices.

Item 3 – The enclosure has a built in mounting plate, so no additional mounting hardware is necessary. Place the key in the lock and turn it 180° in both directions. The mounting plate needs to be positioned at the furthest point from the lock in order for the access point to be installed. (Reference Figure 2)

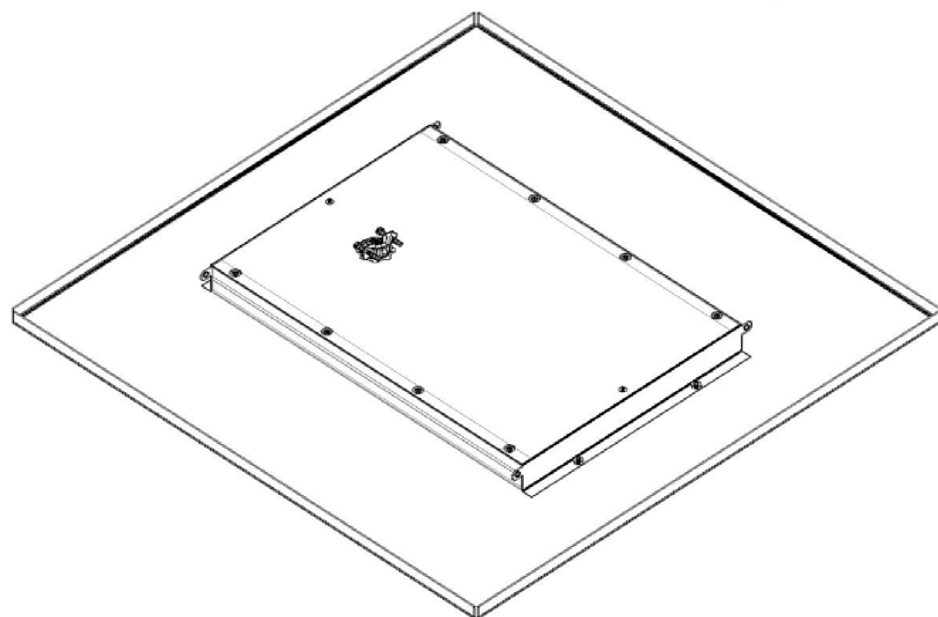


Figure 1

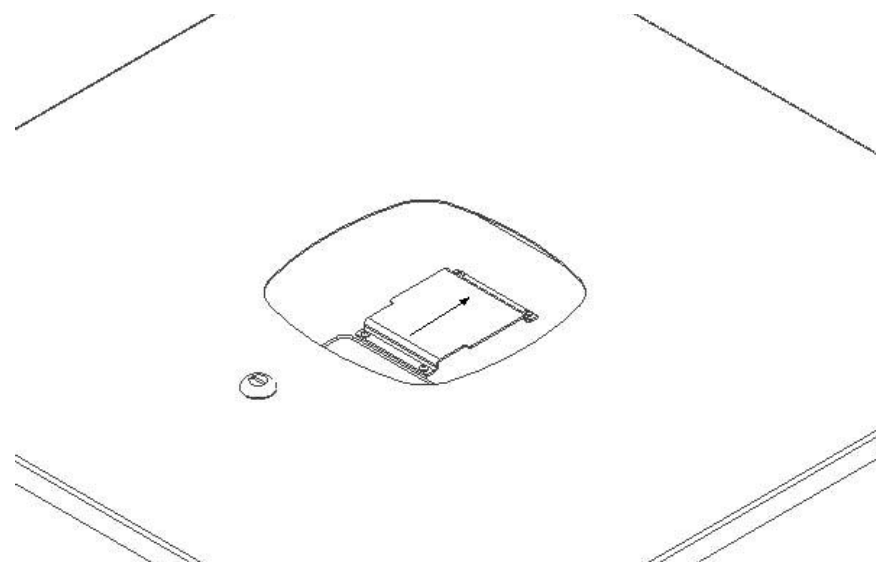


Figure 2 – Close-up showing proper positioning of the mounting plate

INSTALLATION

Step 1 – Remove the ceiling tile and replace it with the completed AP mount assembly.

Step 2 – Use minimum 12-gauge grid wire to attach the AP mount to the ceiling. Attach one end of the wire to the *eye tabs* and the other end to a permanent structure within the ceiling such as a ceiling joist.

⚠IMPORTANT** - This is an important safety feature that could prevent human injury or damage to the access point should the unit become dislodged from the ceiling.**

Step 3 – Run the Ethernet cable (if required) through the cable clamp located on back of the access point mount.

Step 4 – Attach the Ethernet cables to the *access point* from the front side of the AP mount.

NOTE: The Aruba AP135 is locked into the AP mount using the key. The turning of the key activates a cam mechanism that slides the mounting plate underneath the access point, thus, locking the slotted bosses located on the bottom of the access point of the access point into the edges of the enclosure's mounting plate. Once the access point is installed and the key removed, the access point is securely mounted in the AP mount and cannot be removed without the key. Additional security measures (i.e. Kensington lock, etc.) are not required.

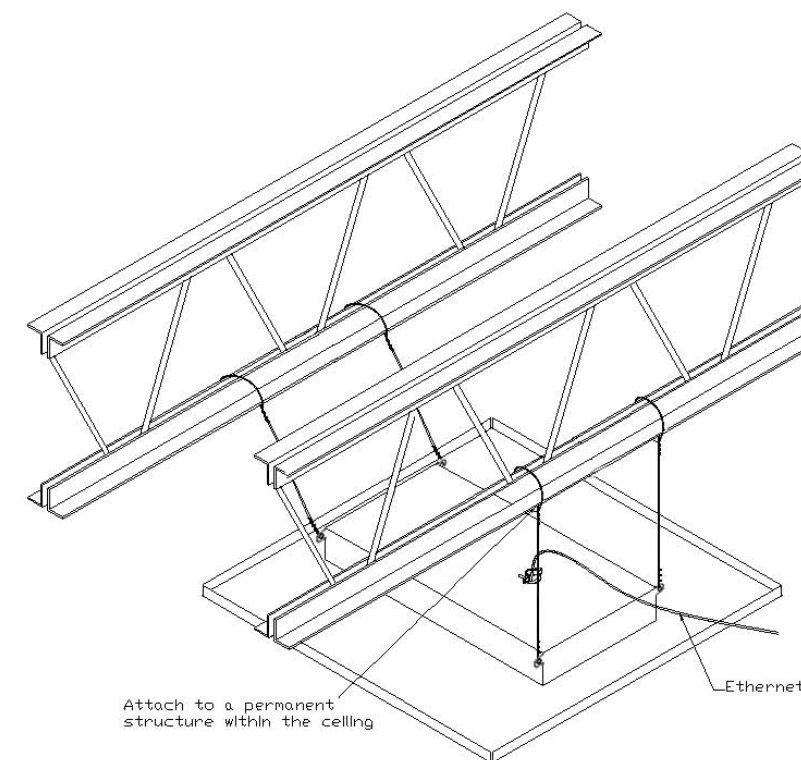


Figure 3 - Installation of grid wires and Ethernet cable.