

Installation Instructions

Model Number 1064-00

Assembly Components:

- Ceiling AP mount, Model 1064-00 assembly – 1 each
- #8-32 Screws – 4 each
- Keys for access door lock – 2 each
- Grid Wire – 2 each

If any of these items are missing, contact your Oberon representative.

Find a flat work surface to assemble the ceiling AP mount and access point prior to mounting in ceiling.

Step 1 – Turn AP mount upside down so that the access point opening is facing toward the table and the connector clamp is facing upward.

Step 2 – The eye tabs are will be used to attach the AP mount to a permanent structure within the ceiling using grid wire.

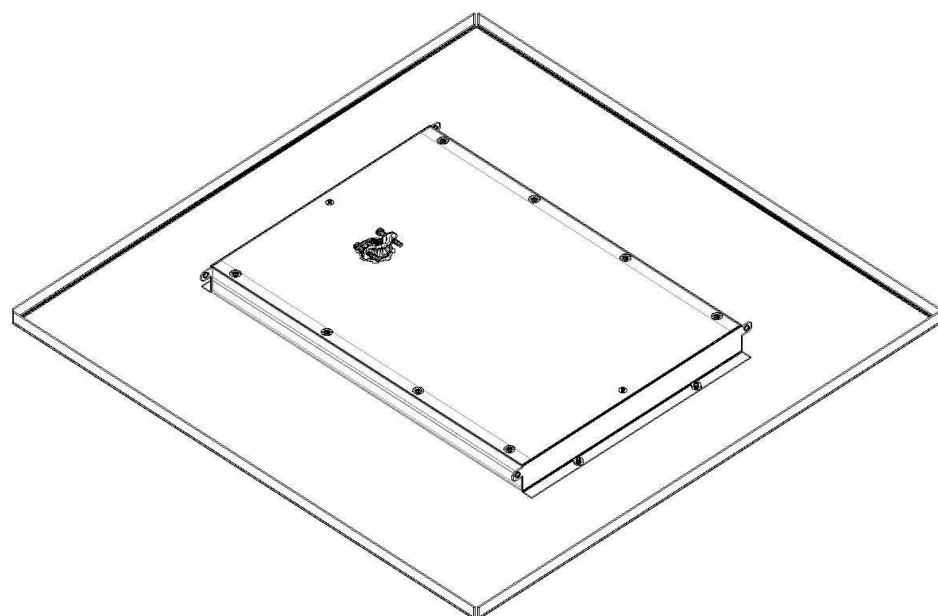


Figure 1

Step 3 – Turn the AP mount over so that the access point opening is facing upward. Install the mounting plate using four (4) #8-32 pan head screws. The mounting plate should be placed so that the round portions of the key slots are located closest to the enclosure lock (reference Figure 2)

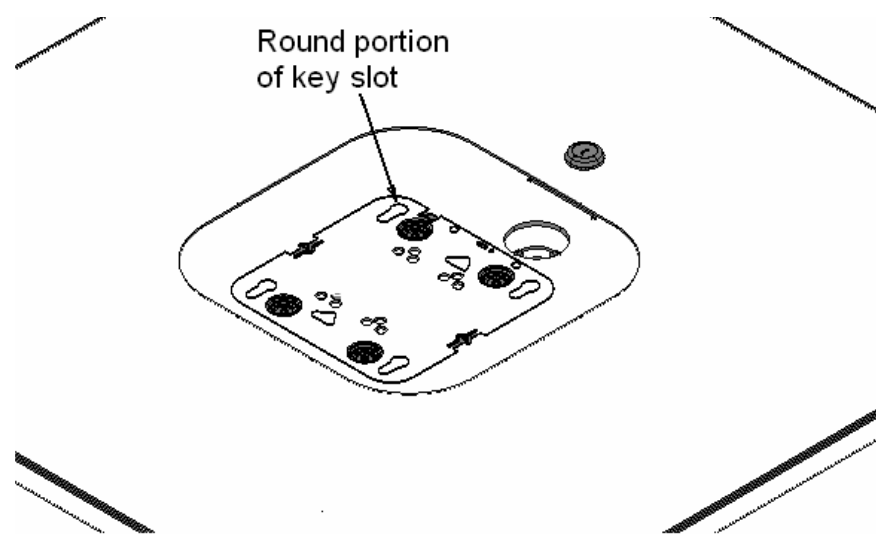


Figure 2 – Close-up showing proper orientation of the Cisco Mounting Plate

Step 4 – Remove the ceiling tile and replace it with the completed AP mount assembly.

Step 5 – Use minimum 12-gauge grid wire to attach the AP mount to the ceiling. Attach one end of the wire to the eye tabs and the other end to a permanent structure within the ceiling such as a ceiling joist.

⚠️ **IMPORTANT - This is an important safety feature that could prevent human injury or damage to the access point should the unit become dislodged from the ceiling.**

Step 6 – Run the data and power cable (if required) through the cable clamp located on back of the access point mount.

Step 7 – Attach data and power cables to the access point from the front side of the AP mount.

Step 8 – Insert the key into the lock and turn the lock 180° in both directions to determine which way the slide needs to be moved so that the mounting plate is located furthest from the key lock.

NOTE: The Cisco 1140 AP is locked into the AP mount using the key. The turning of the key activates a cam mechanism that slides the mounting plate underneath the access point, thus, locking the feet of the access point into keyhole shaped slots located on the mounting plate. Once the access point is installed and the key removed, the access point is securely mounted in the AP mount and cannot be removed without the key. Additional security measures as described in Cisco's *Installation Guide* (i.e. padlocks, security screws, and security hasp) are not required.

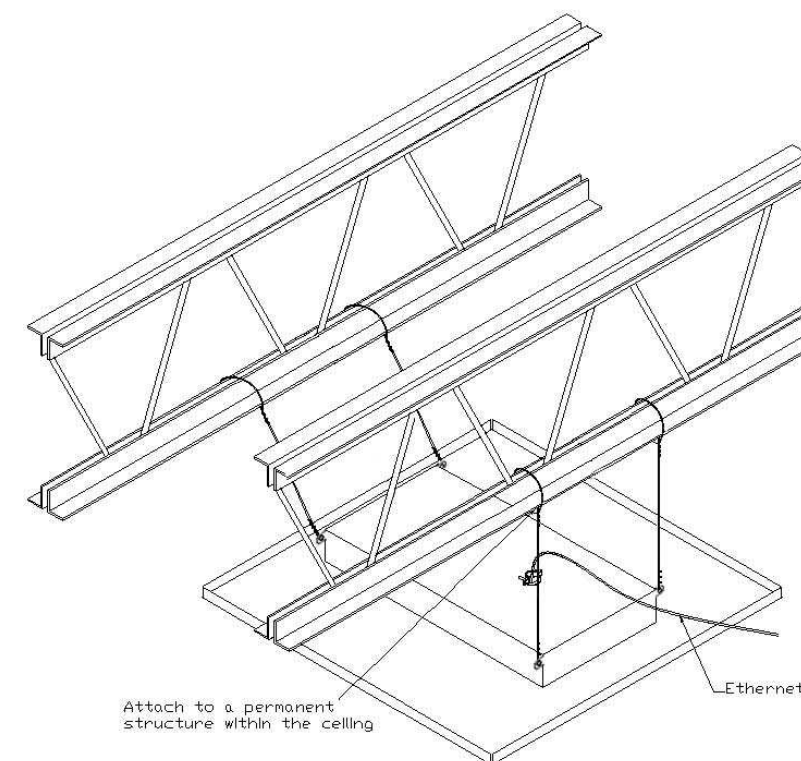



Figure 3 - Installation of grid wires and Ethernet cable.

Step 9 –Place the access point in the opening of the AP mount (reference *Figure 4*) with the access point's LED light closest to the key lock. If the key is turned the proper direction, the access point should drop in and self-center itself so that the feet on the access point fall into the key slots on the mounting plate.

 NOTE: If the access point and key slots do not align properly, turn the key 180° and repeat step 9.

Step 10 – After verifying that the access point is properly seated within the opening, turn the key 180° to lock the Access Point in place. The key should require minimal effort to turn. If excessive force is required to turn the key, verify that the access point is properly seated within the opening and then re-try turning the key.

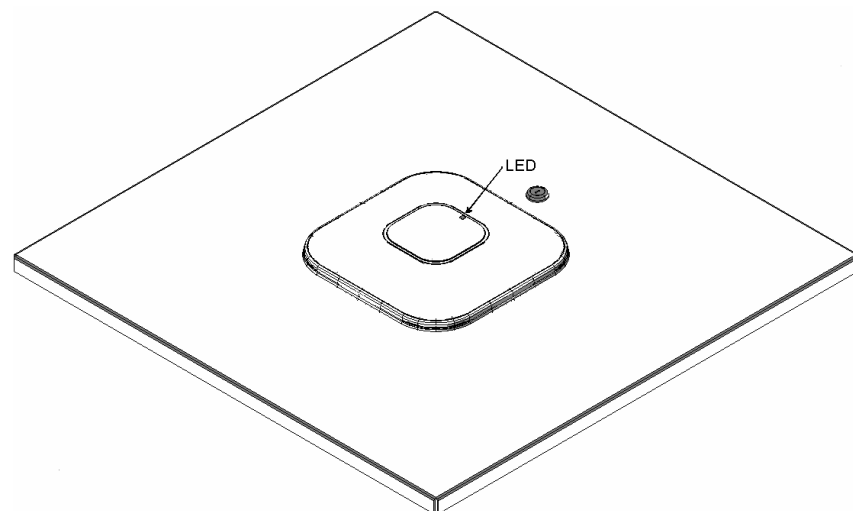
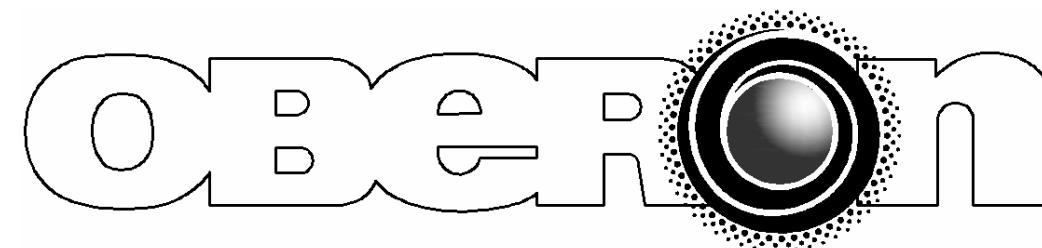


Figure 4 – Proper positioning of AP within the 1064 enclosure. Note that the access point should be located within the AP mount so that the LED is located closest to the lock



MODEL 1064-00

Installation Instructions

****** WARNING ******

Please thoroughly read the product warning below before installation to provide for a safe work environment.

1. Support guide wires must be used for the installation of this product. Acoustical Ceiling grid work is not designed to support the weight of the enclosure. Four eye tabs placed in the back of the enclosure are provided for the installation of the grid wire. Supporting guide wires should be attached to these eye tabs.
2. When closing the enclosure access door, be sure that the cam lock is completely engaged to prevent the access door from accidentally swinging open.
3. When opening the enclosure door, be sure to support the door to prevent the door from accidentally falling open.