

Installation Instructions

Model Number 1059-00

Assembly Components:

- Ceiling enclosure Model 1059-00 assembly – 1 each
- #8 - 32 screw – 4 each
- Mounting hole legend – 1 each
- Keys for access door lock – 2 each

If any of these items are missing, contact your Oberon representative.

Find a flat work surface to assemble the *ceiling enclosure*, *access point* and *antenna(s)* prior to mounting in ceiling.

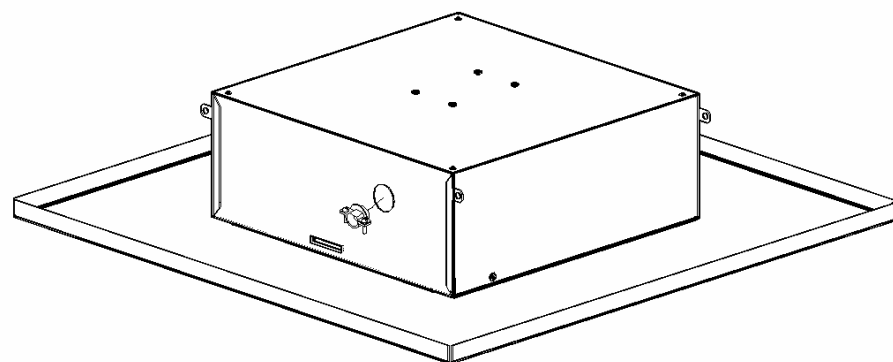


Figure 1.

Step 1 – Place the *ceiling enclosure assembly* on the work surface with the keyed doorway unlocked. The *eyebolts* will be used to secure the enclosure with grid wires (Ref. *Figure 1*).

Step 2 – Install the cable clamps. Remove the hole cover(s) from the inside of the enclosure. Insert the cable clamp through the hole with the nut installed from the inside of the enclosure. If using Power Over Ethernet (P.O.E.) use 1 cable clamp. If P.O.E. is not being used, install both cable clamps and bring power and Ethernet into the enclosure through separate clamps (Ref. *Figure 2*).

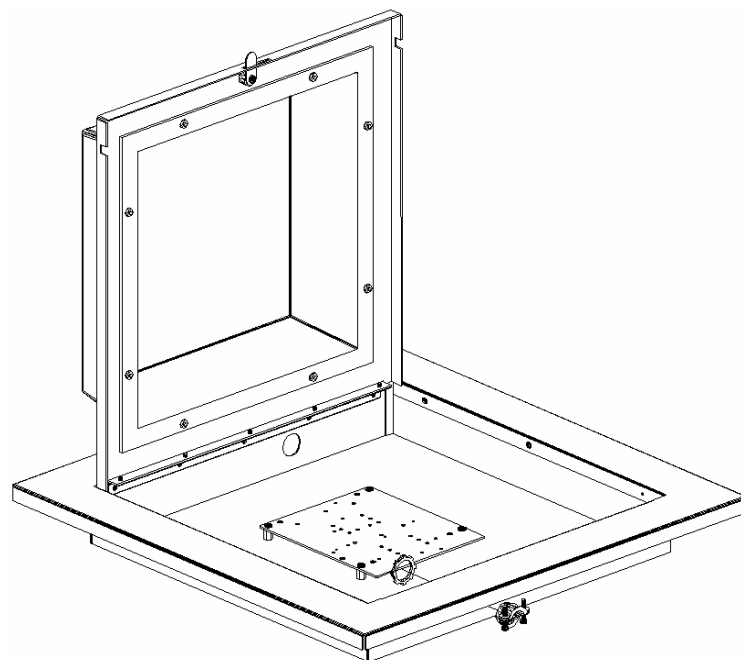


Figure 2 – Installation of cable clamp(s)

Step 3 – Use the *mounting hole legend* to determine the mounting requirements for the type of *access point* chosen. Securely fasten the *access point* to the mounting plate in the location defined by the *mounting hole legend* (Ref. *Figure 3*).

Step 4 – Remove the ceiling tile and replace it with the completed *access point enclosure assembly*.

Step 5 – Use minimum 12-gauge grid wire to secure the *access point enclosure* in the ceiling grid. Attach one end of the wire to the *eyebolts* and the other end to a permanent structure within the ceiling such as a ceiling joist (Ref. *Figure 4*).

⚠IMPORTANT** - This is an important safety feature that could prevent human injury or damage to the access point, should the unit become dislodged from the ceiling grid.**

Step 6 – Run the data and power cable (if required) through the cable clamps located on sides of the *access point enclosure*.

Step 7 – Attach data and power cables to the *access point* through the access door then tighten the screws on the cable clamp.

Step 8 – Close and lock the access door. The installation is now completed.

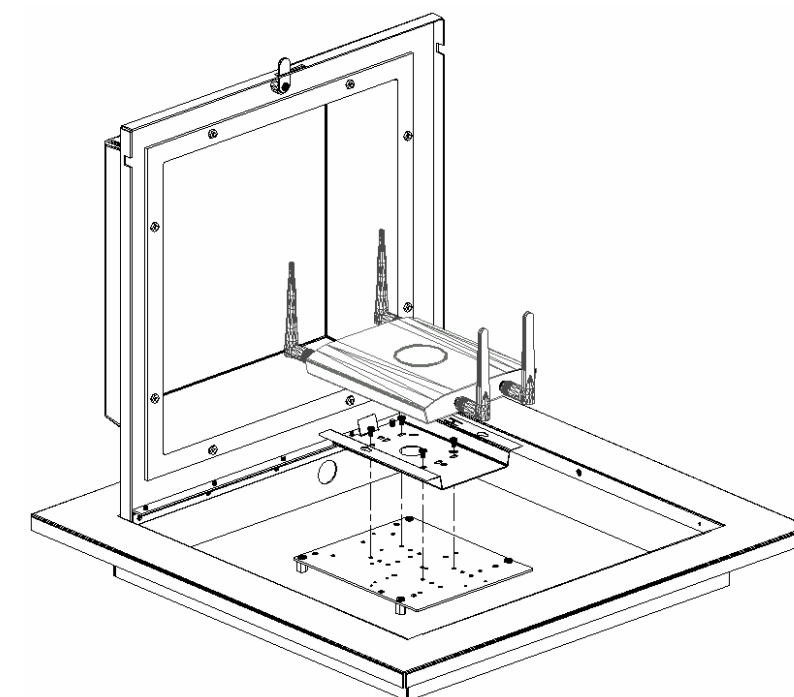


Figure 3 – Install Access Point in enclosure.

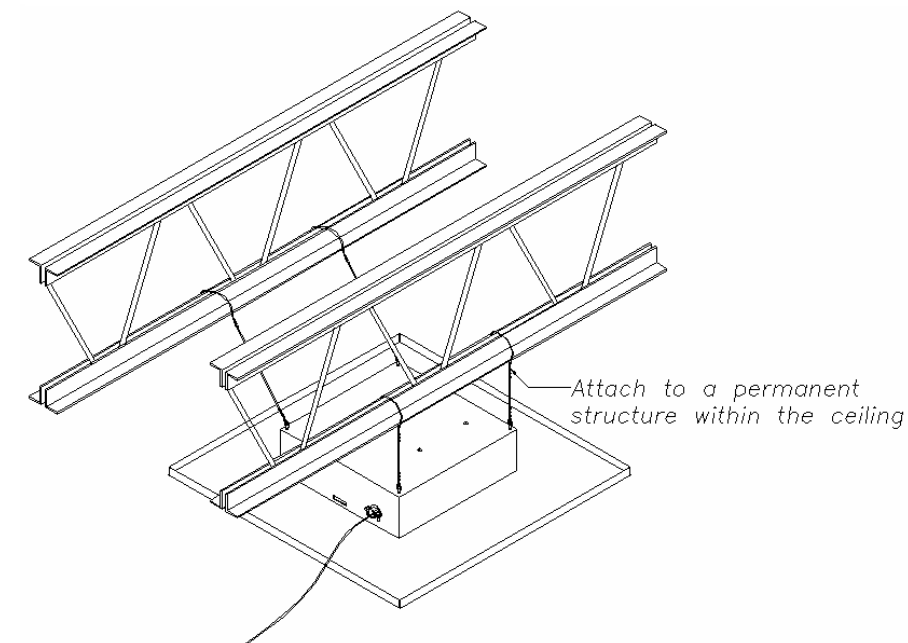
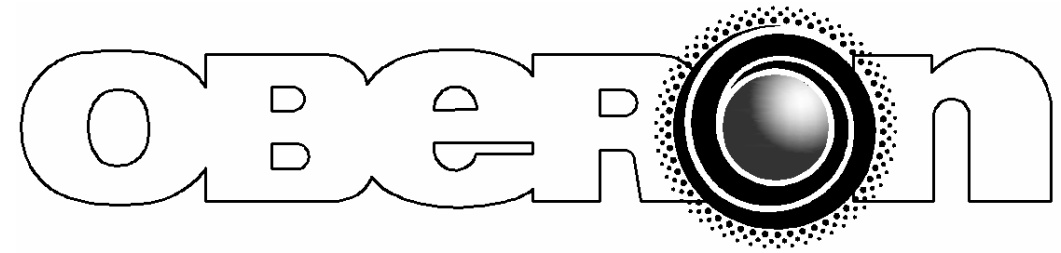


Figure 4 - View showing enclosure installed in ceiling grid.



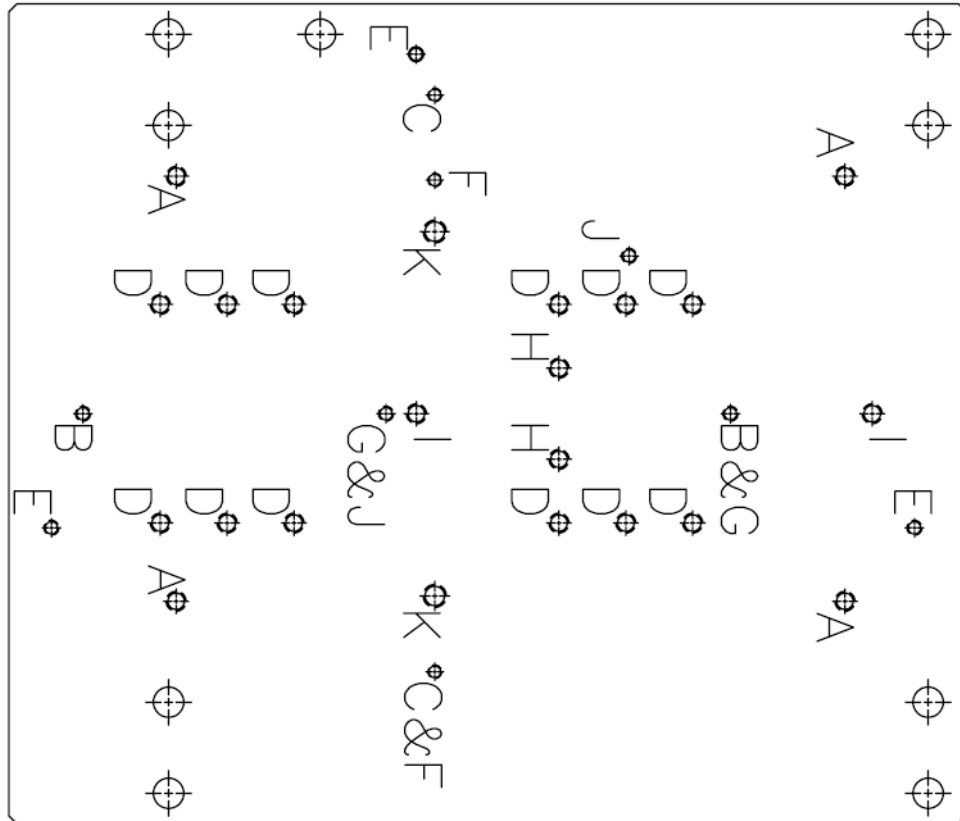
MODEL 1059-00

Installation Instructions

**** WARNING ****

Please thoroughly read the product warning below before installation to provide for a safe work environment.

1. Support guide wires must be used for the installation of this product. Acoustical Ceiling grid work is not designed to support the weight of the enclosure. Four holes placed holes in the back of the enclosure are provided for the installation of eye bolts. Supporting guide wires should be attached to these eye bolts.
2. When closing the enclosure access door, be sure that the cam lock is completely engaged to prevent the access door from accidentally swinging open.
3. When opening the enclosure door, be sure to support the door to prevent the door from accidentally falling open.



Mounting hole legend.

A	-	Cisco AP350
B	-	Netgear
C	-	Cisco AIR-WGB350
D	-	Cisco AP1242 & AP1200 and BlueSocket
E	-	Orinoco AP-2000
F	-	Newbury
G	-	Secnet 11
H	-	Chantry Networks
I	-	BeaconPoint BP200
J	-	AirMagnet Sensor
K	-	Orinoco AP-4000
	-	Cisco 1000