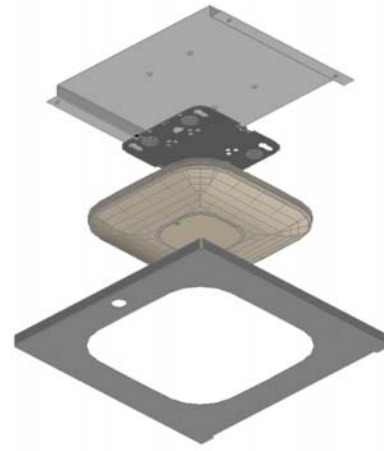


## Model 1052-1140/3500

## Suspended Ceiling Enclosure

Oberon's Model 1052-1140/3500 wireless LAN access point enclosure is a locking, 2' x 2' ceiling tile enclosure designed specifically to conveniently mount and secure the Cisco 1040/1140/1260/3500/3600 series access points. The enclosure is based on Oberon's popular 1052-00 universal wireless access point enclosure, with a door designed specifically for Cisco's newest access points. No ceiling tile cuts are required for installation. Just mount the access point into the door, place the ceiling tile enclosure in the ceiling, secure the enclosure to the ceiling support structure, and the access point is conveniently and aesthetically secured in the ceiling. Upgrades to different styles of access points are achieved by simply unlocking and replacing the door.



1) Model 1052-1140/3500 and Cisco 1142 AP (not included) 2) Exploded view of the door, access point, access point mounting bracket, and assembly mount bracket

### Specifications:

- Ceiling tile enclosure specifically designed for Cisco 1140/1260/3500/3600 series wireless access points
- Use Cisco AIR-AP-BRACKET-1 for 3600 series and AIR-AP-BRACKET-2 for 3500 series
- UL listed and designed to meet NEC300-22 and 300-23 for plenum installations
- OSHPD approved OPA # 1638
- Construction: Textured white powder-coated steel, 16 ga. backbox, 14 ga. door
- Fully hinged locking door, keyed alike. Door can be replaced to migrate to new access points.
- Size: Flange is 2' x 2', AP Enclosure is 12.5" x 12.5" x 4.5" deep
- Weight: 13lbs (not including access point or antenna)
- Enclosure must be supported by the building ceiling structural system, not the tile gridwork.

### Model 1052-1140/3500 Includes:

- Access point mounting screws
- (4) Suspension wires
- (2) 3/4" Trade conduit connectors for power and data cable openings in the back-box
- Mounting Instructions

