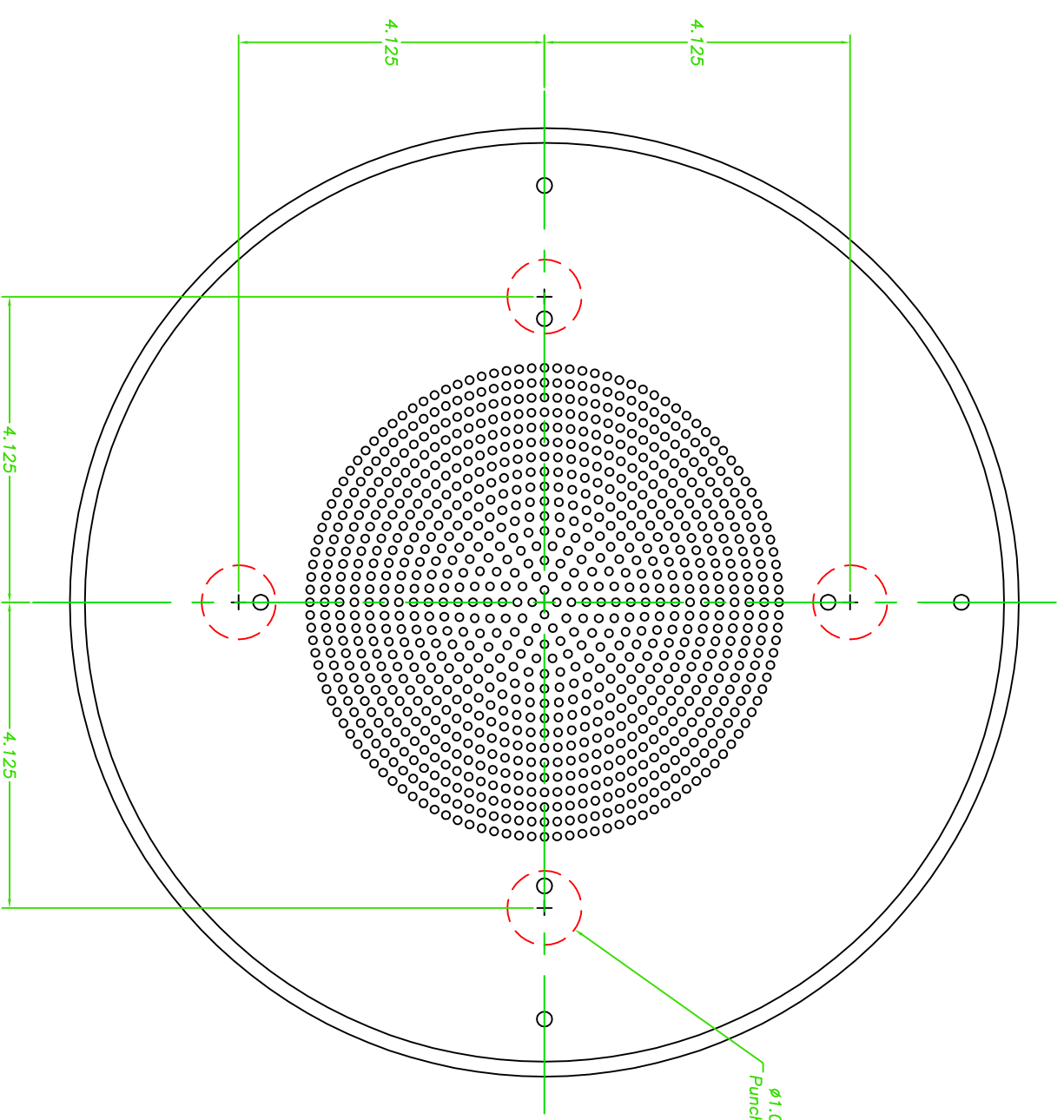


REVISIONS				
ZONE	REV	DESCRIPTION	DATE	APPROVED

Ø1.000 Dia hole
Punch or mill (4X)



NOTE:
 – Lashen Speaker Baffle
 – Material: .030" Steel

Dimensional Tolerances:
 0 = ± .030
 .000 = ± .015
 Angles = ± 1°

Oberon, Inc
 1315 S. Allen Street, Suite 410
 State College, PA 16801

Modified Speaker Baffle
 Model 1039-00 Enclosure

SIZE	DATE	DWG NO.	SHEET	REV
C	8/31/09	1643	1	1
SCALE 1 : 1		DRAWN BY	RLC	SHEET
				1 of 1