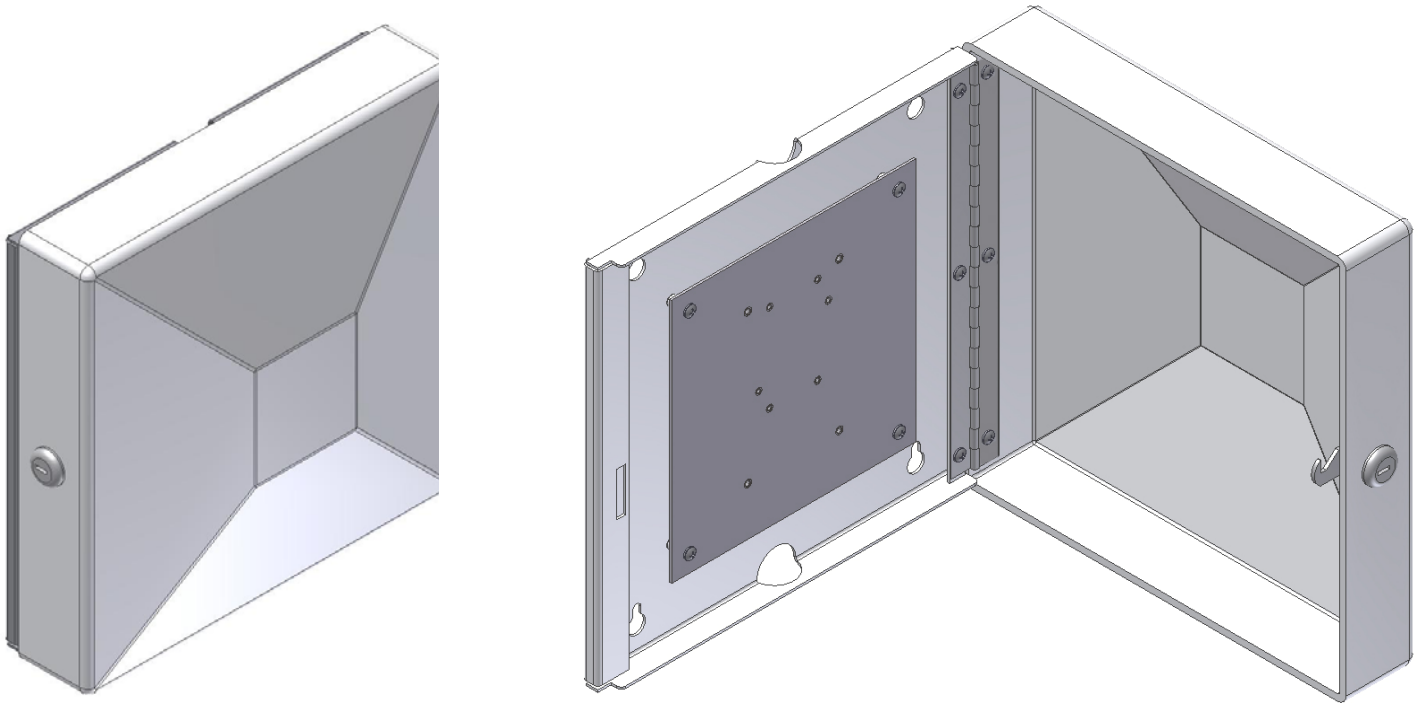


Oberon's model 1032-00 "hard lid" or wall mount enclosure provides a secure, aesthetic, convenient mounting solution for smaller wireless access points from many vendors. This economical enclosure has a low profile impact resistant ABS dome so that wireless access points with integrated or non-detachable antennas can be secured in otherwise unsecured spaces. The product is designed to provide an unobtrusive mounting solution. Locks are "keyed-alike" to simplify moves, adds, and changes.



Specifications:

- Wireless access point enclosure designed to be surface mounted on "hard-lid" ceilings or walls.
- Economical solution for securing smaller wireless access points with integrated or non-detachable antennas
- Construction: 16 gauge, steel back-box, and impact resistant, RF transparent, ABS cover
- Locks keyed-alike
- Cover is UL listed (UL-94V5A)
- Size: 11" x 11" x 2.5" (total depth)

Model 1030-00 Includes:

- (2) Keys for lock
- Universal mounting plate with mounting features for different vendors access points
- Mounting Instructions
- (4) # 6-32 x 3/16 Screws
- (4) # 8-32 x 3/16 Screw