



MODEL 1032-00

Installation Instructions

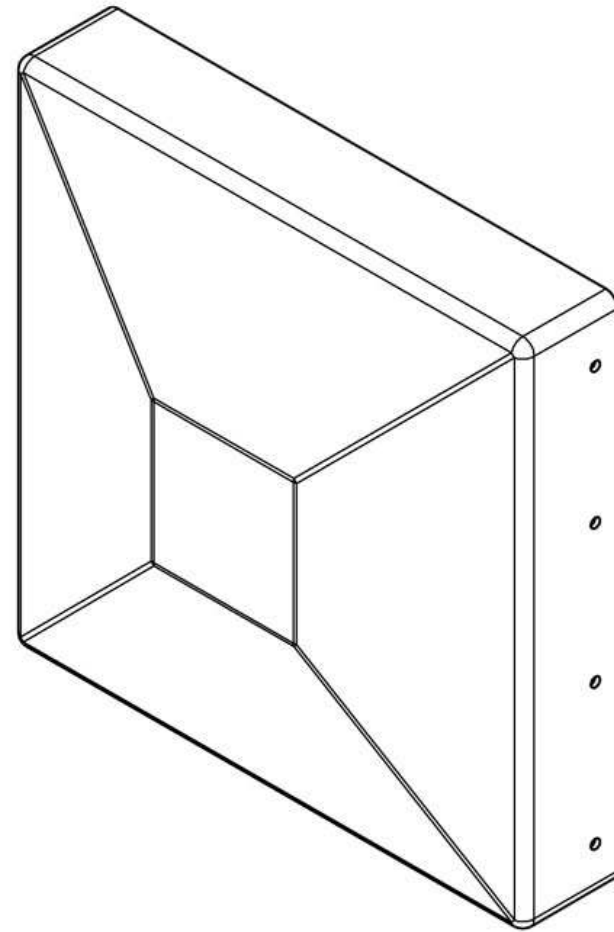


Figure 4 – Model 1032-00

**** WARNING ****

Please thoroughly read the product warning below before installation to provide for a safe work environment.

1. When closing the enclosure access door, be sure that the cam lock is completely engaged to prevent the access door from accidentally swinging open.
2. When opening the enclosure door, be sure to support the door to prevent the door from accidentally falling open.

Assembly Components:

- Wall / Ceiling Enclosure, Model 1032-00 assembly – 1 each
- #6-32 Screws – 4 each
- #8-32 Screws – 4 each
- #10-32 Screws – 2 each
- #6-32 Nuts – 2 each
- Keys for access door lock – 2 each

If any of these items are missing, contact your Oberon representative.

Installation Instructions

Model Number 1032-00

Find a flat work surface to assemble the wall/ceiling Model 1032-00 (Figure 4) enclosure and access point prior to mounting.

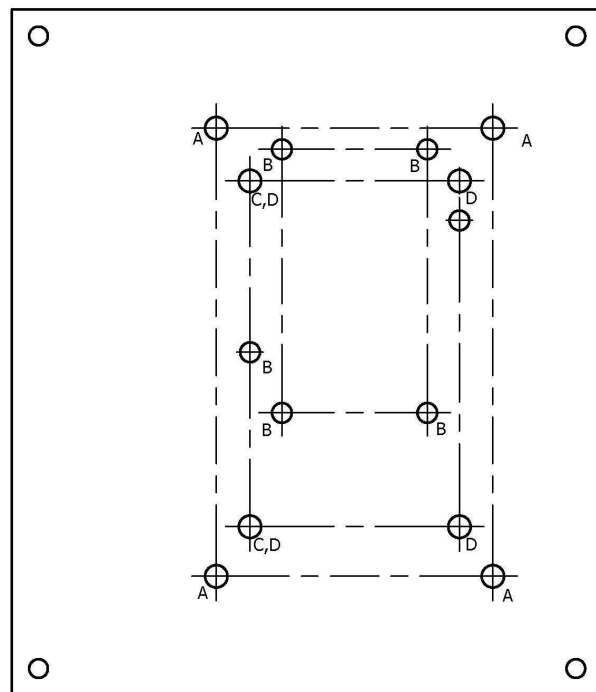
Step 1 – Open the enclosure door and mount the access point's mounting plate per the mounting hole legend (Ref. Figure 1).

NOTE: Aruba Networks sells the mounting bracket separately. To install Aruba Networks Access Points you will need to purchase the mounting plate kit required for your application See Aruba Networks AP105 Mounting Bracket Instructions.

Aruba Networks AP105 Mounting Bracket Instructions

Step 1 – Remove mounting plate from the Model 1032-00 (Ref. Figure 1) by removing the (4) four screws located in each corner of the mounting plate.

Step 2 – Install the Aruba Networks AP-105-MNT mounting bracket (sold separately) with (2) two #6-32 nuts to the studs located on the backbox of the enclosure (Ref. Figure 2).



- A - Cisco AIR-AP-BRACKET-1
- B - Cisco 1130 and Aruba Networks AP124
- C - Aruba Networks AP70
- D - Cisco AIR-AP-BRACKET-2

Figure 1 – Model 1032-00 Mounting Plate

Step 2 – When mounting the enclosure on a wall or hard lid surface, use the four (4) keyholes located on the four corners of the back box so that you will be able to mount to surface using screws and anchors (not included).

Step 3 – Decide the best location from which to bring in the Ethernet cable. There are two (2) $1\frac{1}{8}$ " cable openings located against the back surface top and bottom of the enclosure. Place the Ethernet cable (and conduit if needed) that best fits your application.

Step 4 – Place the enclosure against the surface to which it will be mounted and mark the hole locations to drill pilot holes.

Step 5 – Set the enclosure to the side and drill holes for wall anchors. Install the wall anchors and mount the enclosure.

Step 6 – Bring in the Ethernet cable and attach to the access point.

Step 7 – Attach the access point to the previously installed access point mounting plate, close and lock the door. Installation is now complete.

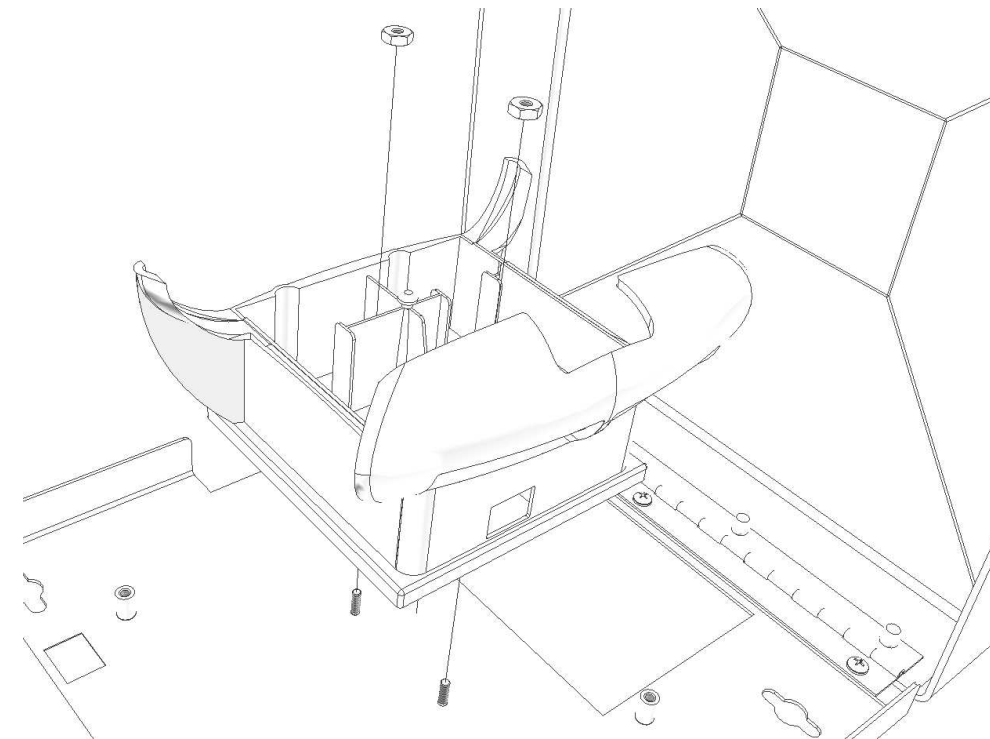


Figure 2 – Aruba Networks AP-105-MNT mounting bracket

Step 3 – Slide Aruba Networks AP105 into the mounting bracket until it is secured (Ref. Figure 3).

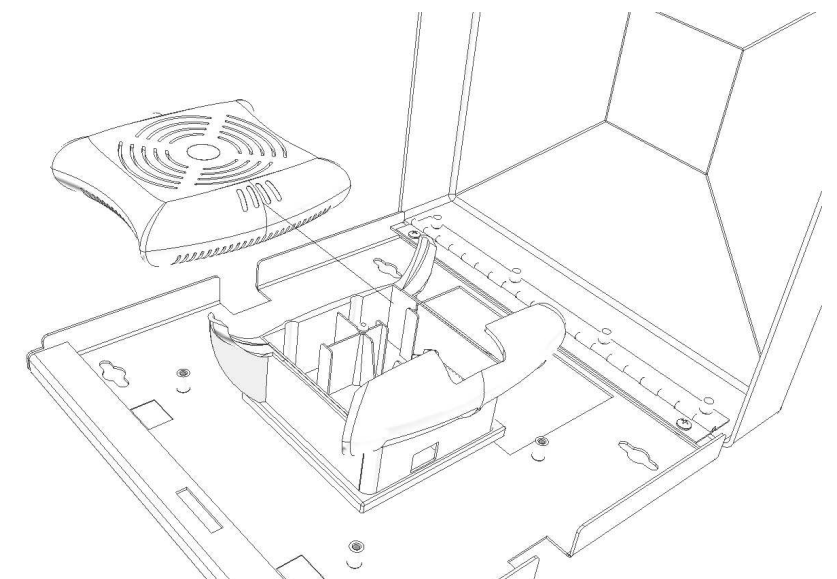


Figure 3 – Aruba Networks AP105 Installation