

Step 10 – From the back side of the assembly, install the eight #8-32 screws to secure the flange to the enclosure

Step 11 – Remove the ceiling tile and insert the assembly in the ceiling grid.

⚠️IMPORTANT** - This is an important safety feature that could prevent human injury or damage to the access point should the unit become dislodged from the ceiling.**

Step 12 – After the enclosure has been placed in the ceiling tile grid use minimum 12-gauge grid wire to attach the enclosure assembly to the ceiling. Attach one end of the wire to the openings along the center of each side and the other end to a permanent structure within the ceiling such as a ceiling joist (ref. Figure 4).

Step 6 – Bring in the Ethernet cable and attach to the access point.

Step 7 – Attach the access point to the previously installed access point mounting plate, close and lock the door. Installation is now complete.

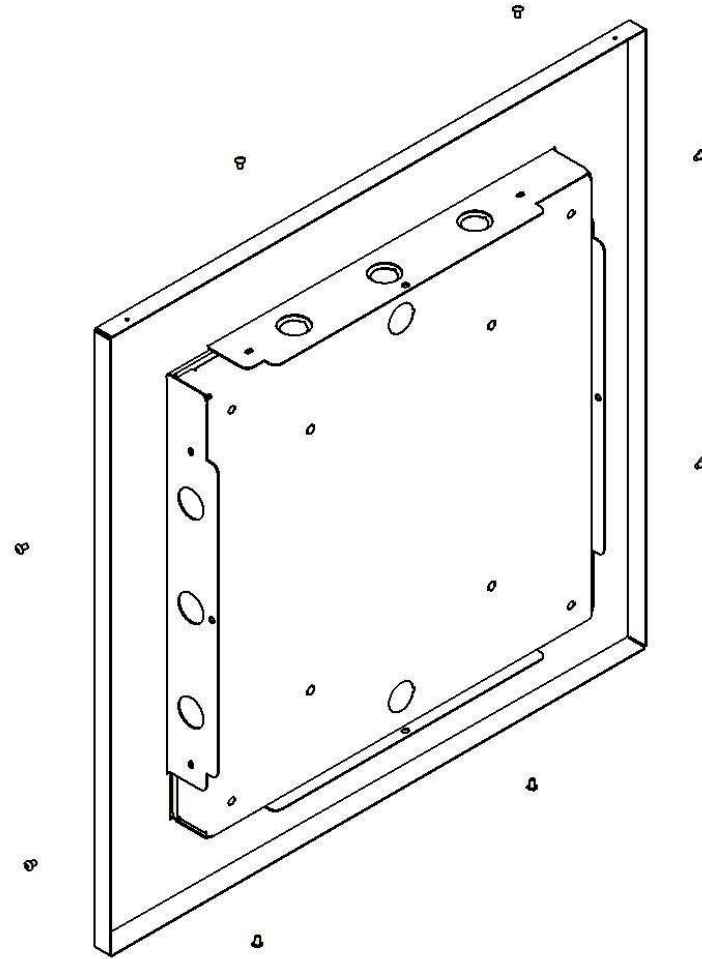


Figure 3 – Attaching the enclosure to the flange

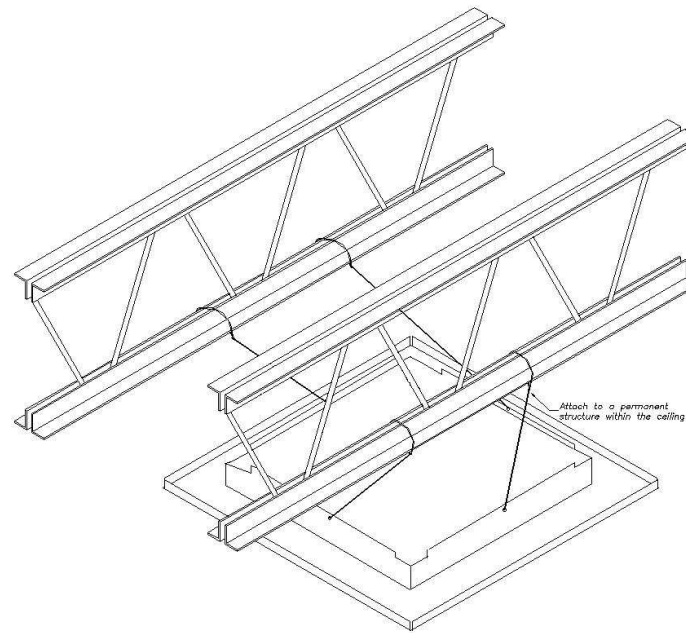


Figure 4 - Grid Wire Installation



MODEL 1030-00

Installation Instructions

**** WARNING ****

Please thoroughly read the product warning below before installation to provide for a safe work environment.

1. When ceiling mounting using optional flange, support guide wires must be used for the installation of this product. Acoustical Ceiling grid work is not designed to support the weight of the enclosure. Two holes placed in the back of the enclosure are provided for the installation of eye bolts. Supporting guide wires should be attached to these eye bolts.
2. When closing the enclosure access door, be sure that the cam lock is completely engaged to prevent the access door from accidentally swinging open.
3. When opening the enclosure door, be sure to support the door to prevent the door from accidentally falling open.

Installation Instructions

Model Number 1030-00

Assembly Components:

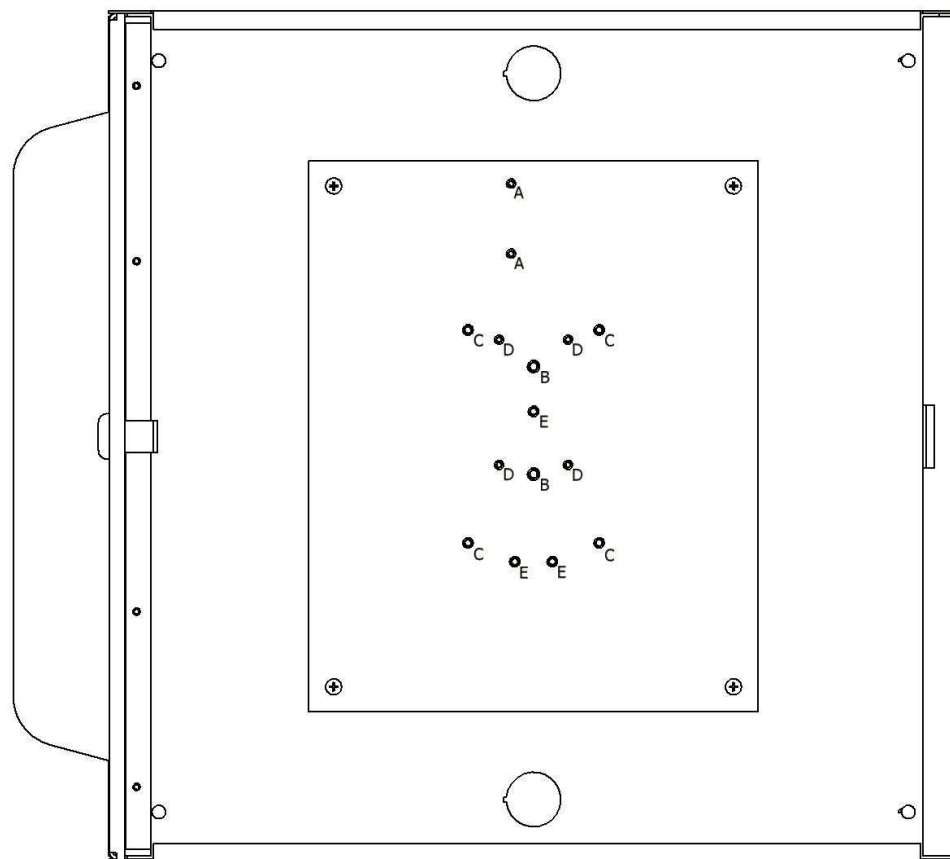
- Wall / Ceiling Enclosure, Model 1030-00 assembly – 1 each
- #6-32 Screws – 4 each
- #8-32 Screws – 4 each
- #10-32 Screws – 4 each
- ½" Trade Size Cable Clamp
- ½" Trade Size Cable Clamp
- Keys for access door lock – 2 each

If any of these items are missing, contact your Oberon representative.

Find a flat work surface to assemble the wall/ceiling enclosure and access point prior to mounting.

Step 1 – Open the enclosure door and mount the access point's mounting plate per the mounting hole legend (Ref. Figure 1).

Note that Aruba Networks sells the mounting plate kits separately. To install Aruba Access Points you will need to purchase the mounting plate kit required for your application.



MOUNTING HOLE LEGEND:

- A - Aruba Networks AP70
- B - Aruba Networks AP120 Series
- C - Cisco 1140 AP
- D - Cisco 1130 AP
- E - Siemens AP 2610

Figure 1 – Mounting hole legend

Step 2 – If mounting the enclosure on a wall or hard lid surface, remove the ¼" knockouts located on the four corners of the back box so that you will be able to mount to surface using screws and anchors (not included). Leave these knockouts in place if you are using the optional flange (Oberon P/N "1030-FLANGE") for ceiling mount installations.

Step 3 – Decide the best location from which to bring in the Ethernet cable. There are two (2) ¾" trade size knockouts located against the back surface of the enclosure and six (6) ½" trade size clamps located on the top and bottom surface of the enclosure. Remove the knockout that best fits your application. (Note: The knockouts located on the top and bottom walls of the enclosure can also be used for external antennas if required). Install the cable clamp.

If using the optional flange kit to mount in a drop ceiling, skip ahead to "Step 8".

Step 4 – Place the enclosure against the surface to which it will be mounted and mark the hole locations to drill pilot holes.

Step 5 – Set the enclosure to the side and drill holes for wall anchors. Install the wall anchors and mount the enclosure.

Step 6 – Bring in the Ethernet cable and attach to the access point.

Step 7 – Attach the access point to the previously installed access point mounting plate, close and lock the door. Installation is now complete.

OPTIONAL FLANGE INSTRUCTIONS:

Assemble Components:

- Model 1030-FLANGE – 1 each
- #8-32 Screws – 8 each

Step 8 – If mounting the enclosure in a drop ceiling, you will need to purchase the optional flange kit (Oberon P/N 1030-FLANGE).

Step 9 – To attach the optional flange, place the Model 1030-00 enclosure into the opening as shown in figure 2. Slide the 1030-00 enclosure into the flange until the screw holes located on the side of the enclosure align with the oblong holes located on the edge of the flange. The front surface of the enclosure door should align with the front surface of the flange with the dome protruding its full height.

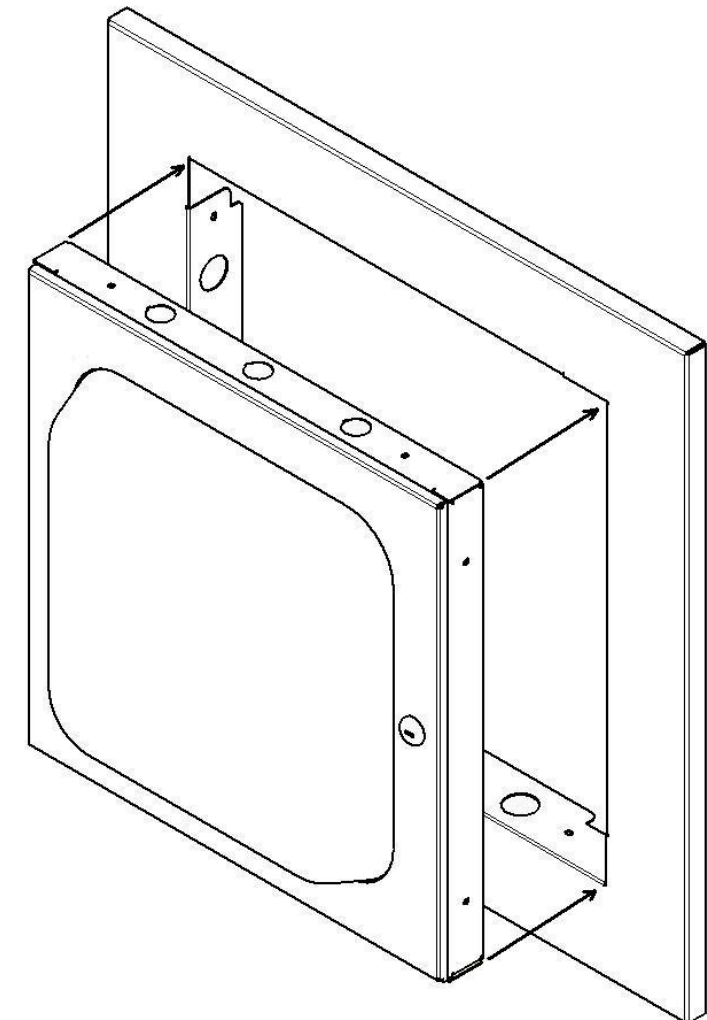


Figure 2 - Installation of Model 1030-00 enclosure into 1030-FLANGE