

Installation Instructions

Model Number 1029-00

Assembly Components:

- Right angle wall mount – 1 each
- Cover – 1 each
- 1" Flexible rubber grommet – 1 each
- #8 - 32 screw (for attaching access point mounting plate) – 4 each
- #6 - 32 screw (for attaching access point mounting plate) – 4 each
- Installation Instructions – 1 each

If any of these items are missing, contact your Oberon representative.

Find a flat work surface to assemble the *mount*, *access point's mounting plate*, *conduit clamp(s)*, and *antenna(s)* prior to mounting on wall.

Step 1 – Place the *mount assembly* on the work surface with the cover off (Figure 1).

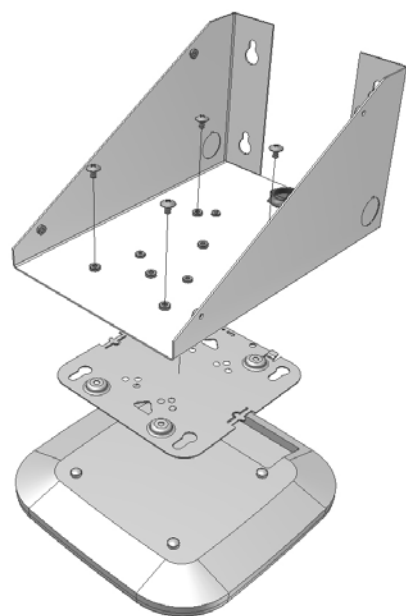


Figure 1

Step 2 – Use the *mounting hole legend* (Figure 3) to determine the mounting hole locations for the type of *access point* chosen. Securely fasten the *access point's mounting bracket* to the mount using either (4) # 8-32 screws (included) or (4) #6-32 screws (included) as defined by the mounting hole legend.

Step 3 – If applicable, install the conduit clamp(s). Clamps can be installed on either side of the mount or the cover by removing the 1/2" trade size knockout punch.

The mount (with the cover still off) is now ready for wall mounting.

Step 4 – Place the mount on the wall where it is to be installed (it is recommended that you mount directly to a stud if possible) and mark the screw locations. Use a minimum of two (2) #10 x 2" or larger screws (not included) to secure the mount in place. However, if there is no stud at the mounting location, it is recommended that you use a minimum of 4 suitable anchors to secure the mount in place (Figure 2).

Step 5 – Run the data and power cable (if required) through the conduit clamp located on either the top *cover* or sides of the *mount*. The mount has a cutout in it that can accommodate a wall plate for data termination. Run data and power cable (if required) through the flexible rubber grommet.

Step 6 – Attach the data and power cables to the *access point* prior to securing the *access point* to the mounting bracket. After the *access point* is secured to the mounting bracket, attach antennas to the *access point* if required.

Step 7 – Replace the cover and tighten the (4) cover screws to the mount. Do not over tighten. Installation is now complete.

⚠IMPORTANT** - It is important that the mount is securely fastened to the wall to prevent human injury or damage to the access point.**

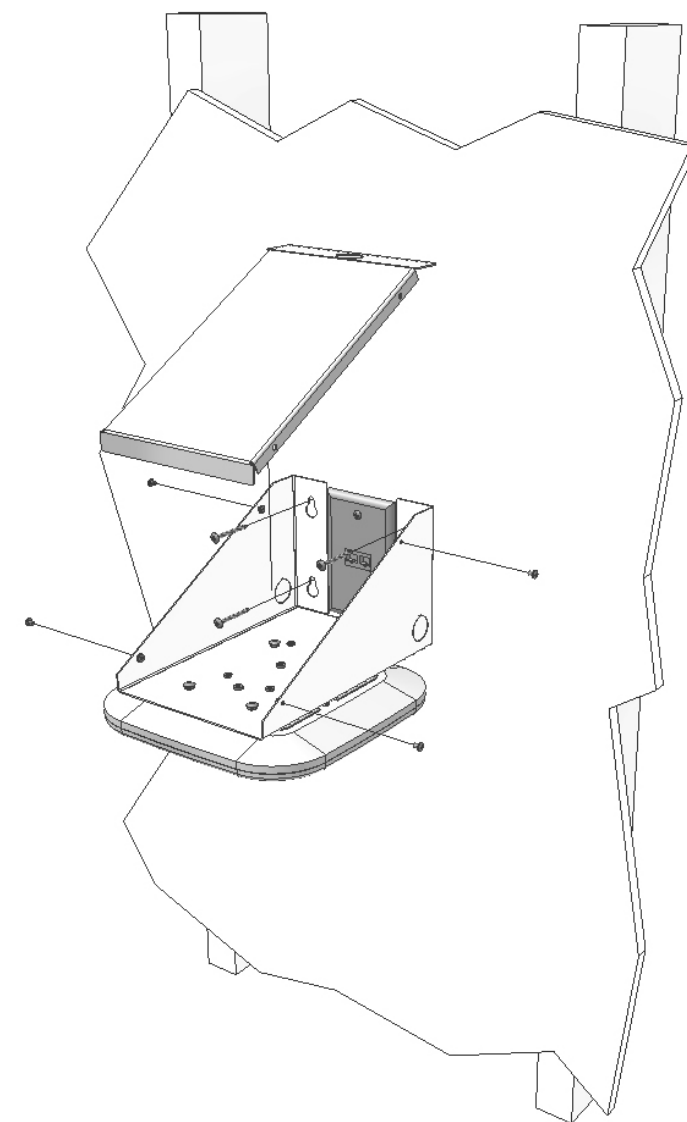
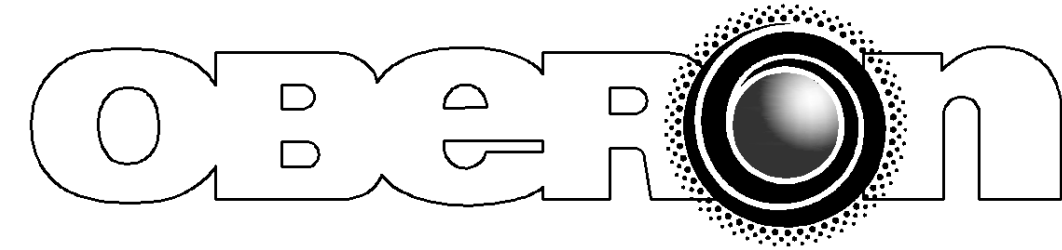


Figure 2



MODEL 1029-00

Installation Instructions

**** WARNING ****

Please thoroughly read the product warning below before installation to provide for a safe work environment.

1. Always consider the hazard to other people:
 - a. During installation, use warning signs, etc.
 - b. Don't work with people directly below the work area as equipment could fall and cause an injury
2. Be sure to securely fasten the mount to the wall to prevent the mount from becoming dislodged.

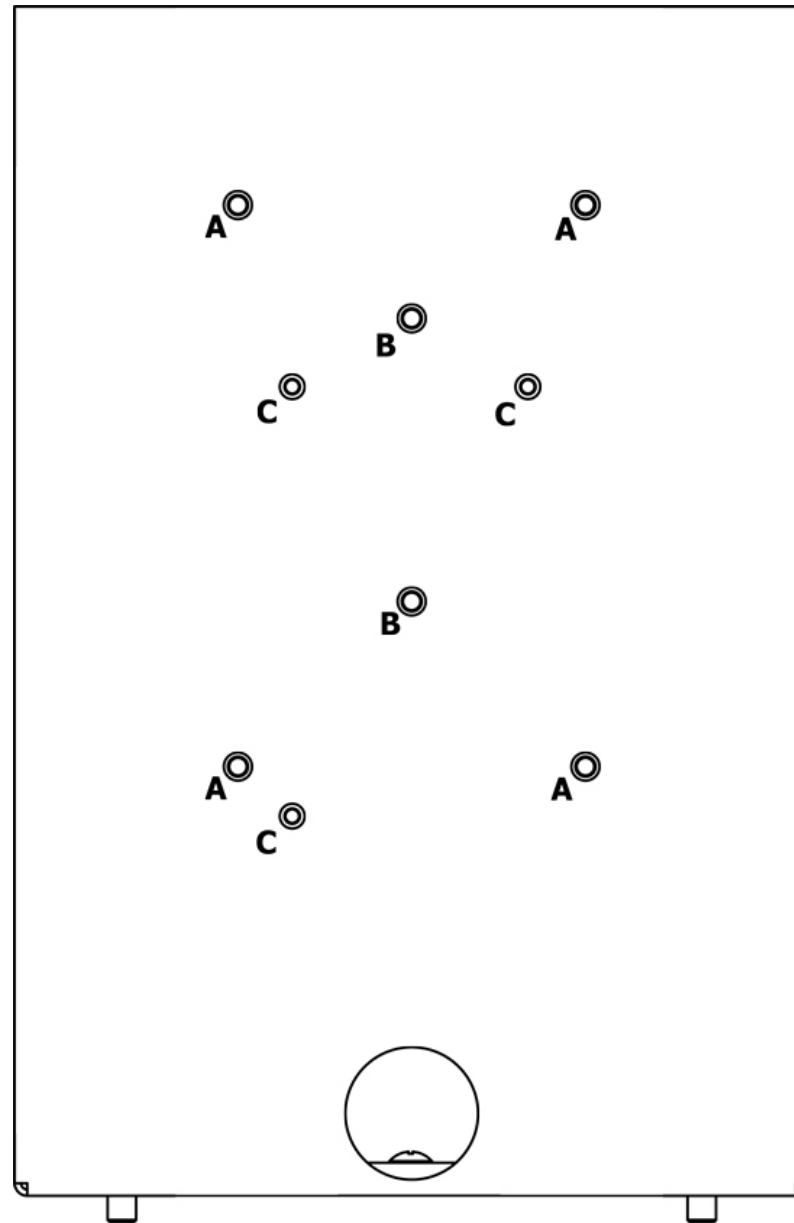


Figure 3

MOUNTING HOLE LEGEND

- A - Cisco AIR-AP-BRACKET-1
- B - Aruba Networks AP 105
- C - Aruba Networks AP 121/125