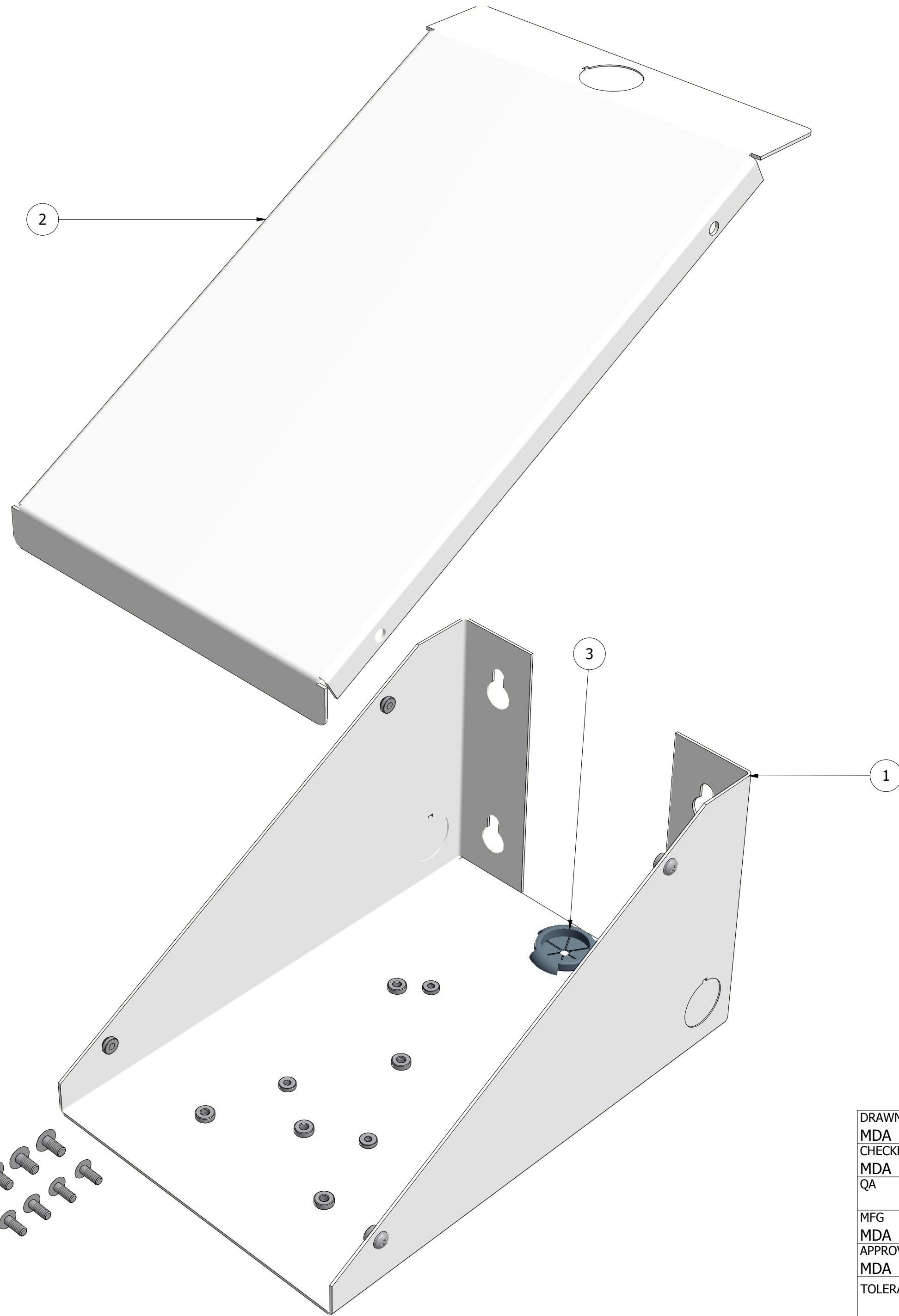


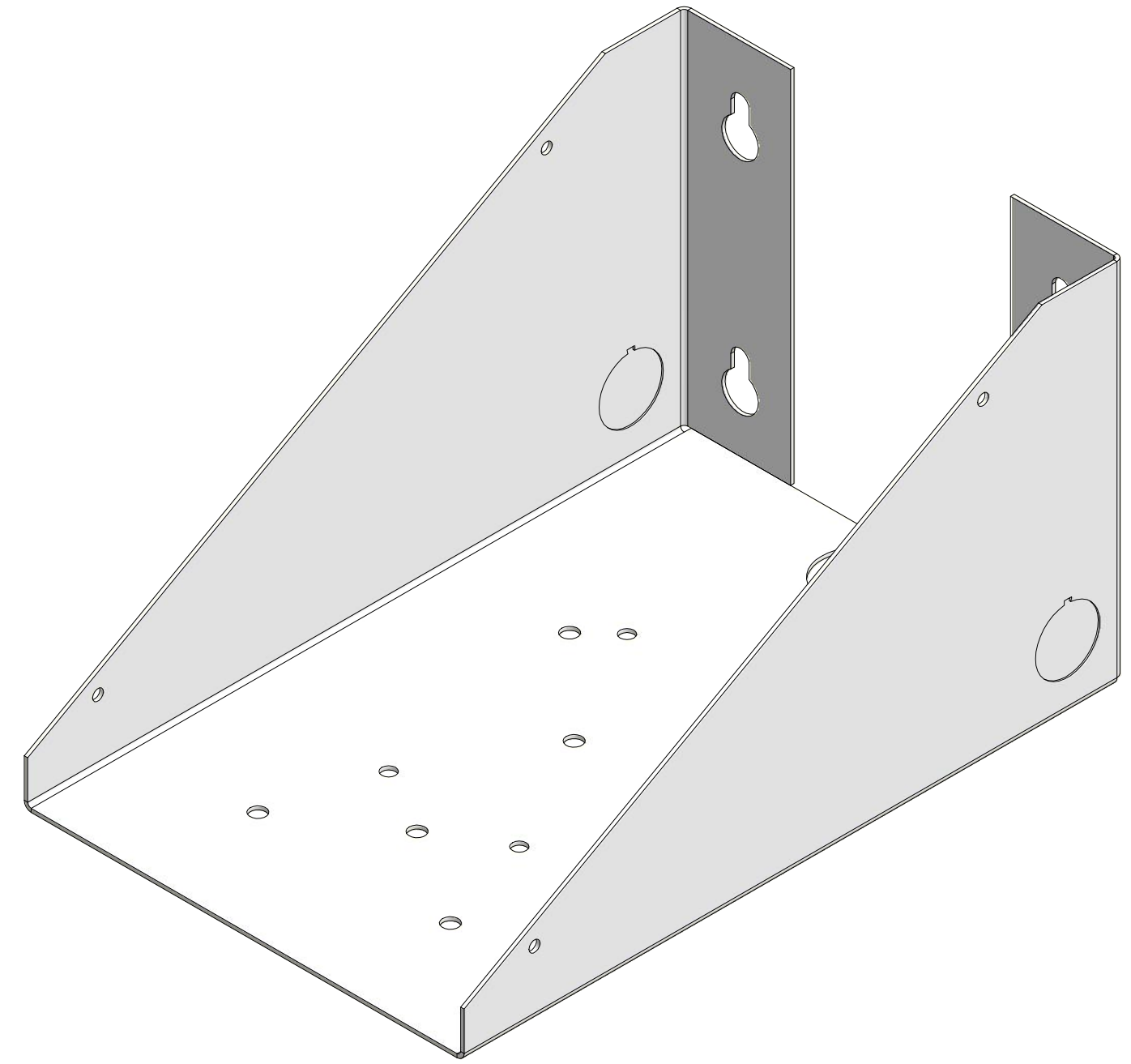
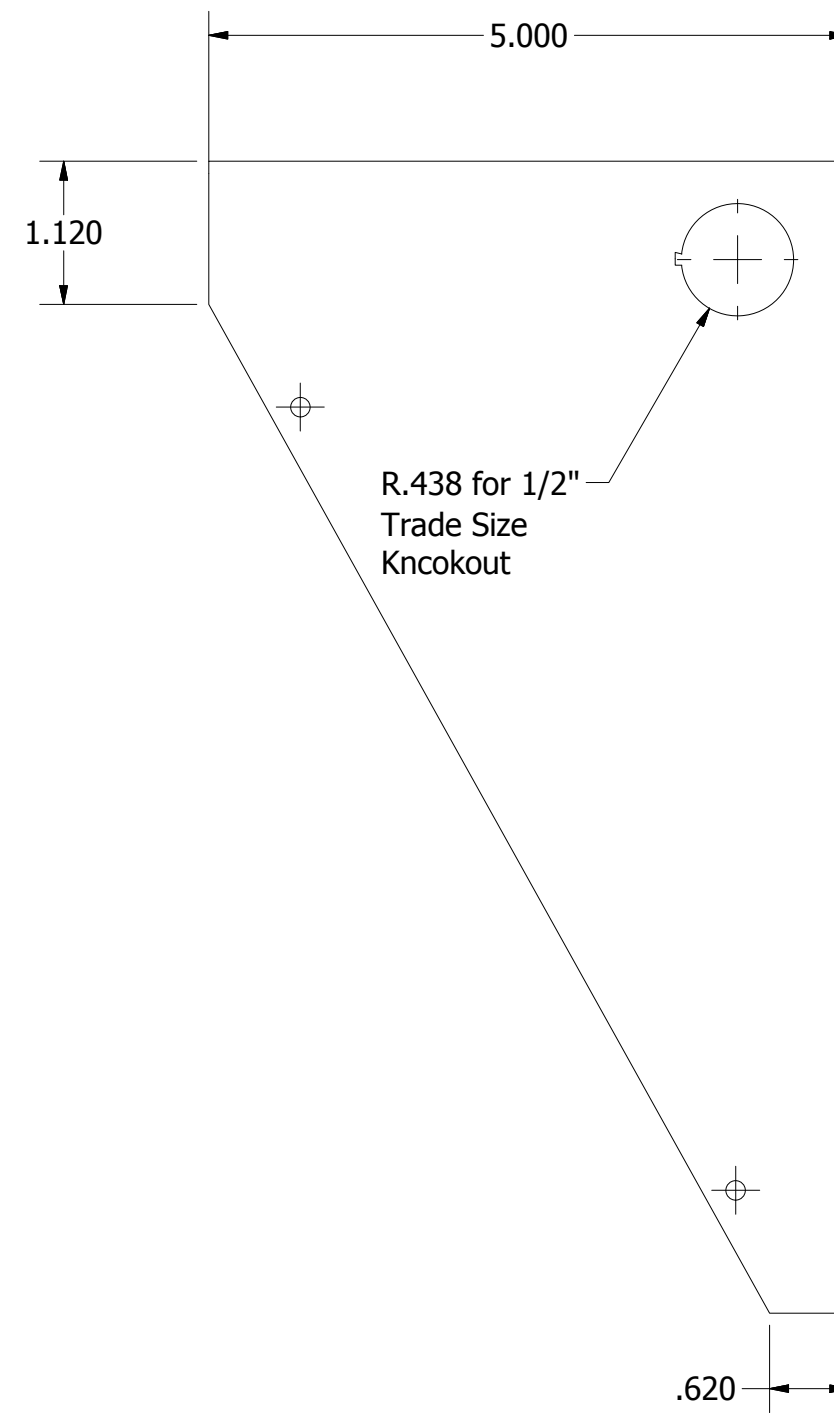
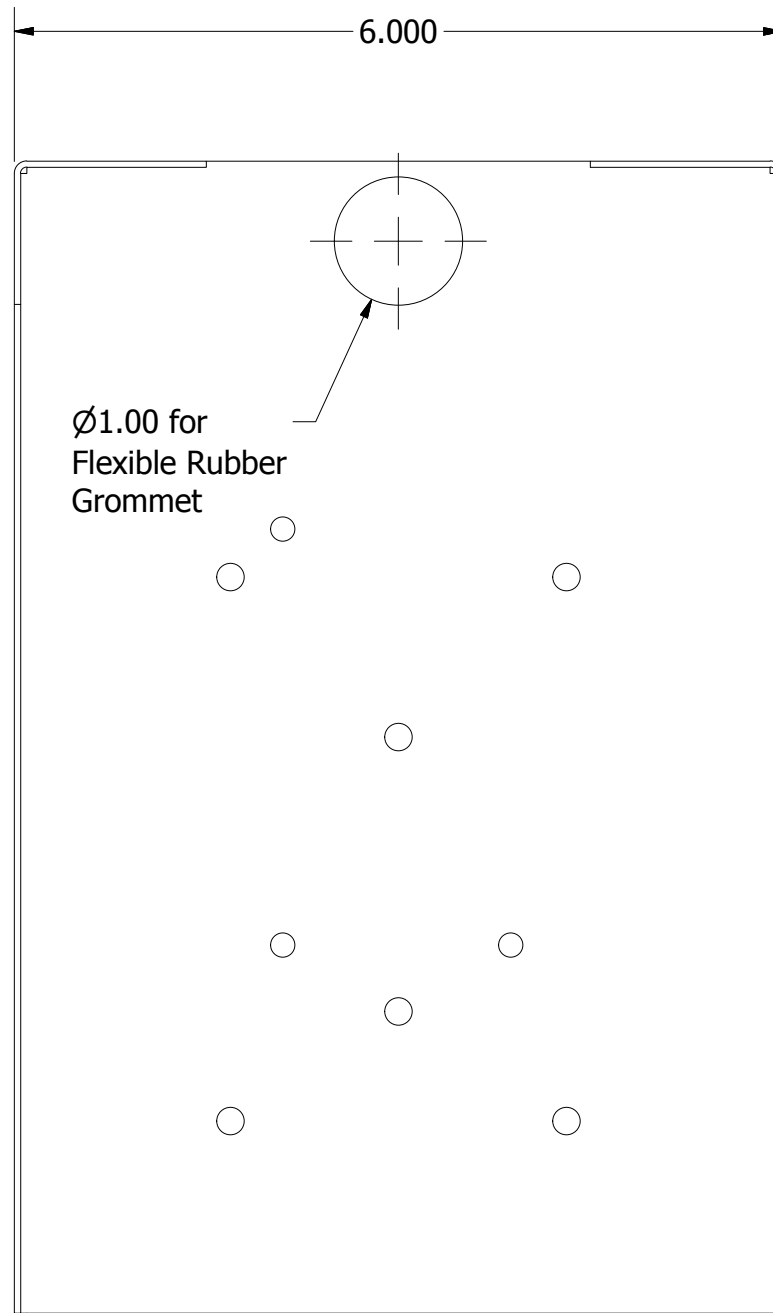
MODEL 1029-00

PARTS LIST		
ITEM	QTY	DESCRIPTION
1	1	Base
2	1	Cover
3	1	Flexible Rubber Grommet
4	4	Cross Recessed Truss Head Machine Screw - 8-32
5	4	Cross Recessed Truss Head Machine Screw - 6-32

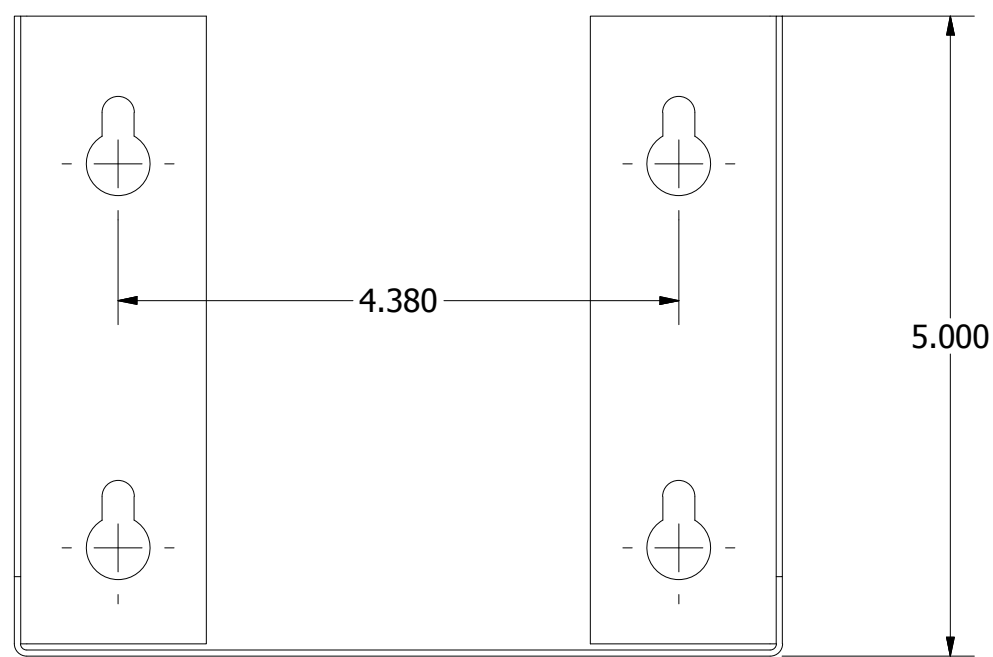


DRAWN	MDA	2/16/2011	Oberon, Inc. - 1315 S. Allen St. - State College, PA 16801		
CHECKED	MDA	2/16/2011	TITLE		
MFG	MDA	2/16/2011	Model 1029-00 Right Angle Wall Mount		
APPROVED	MDA	2/16/2011	SIZE	DWG NO	REV
TOLERANCE:		.0 = +/- .030	C	1694	SHEET 1 OF 3
		.00 = +/- .015			
		.000 = +/- .005			

MOUNT

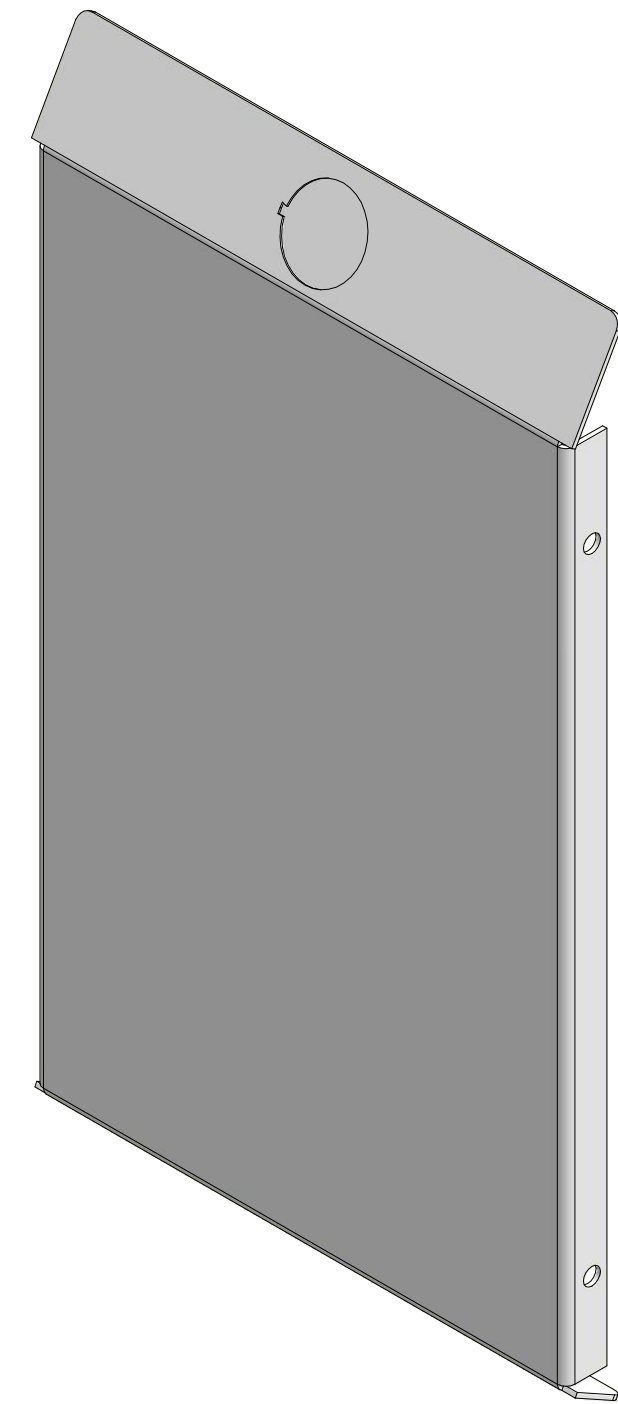
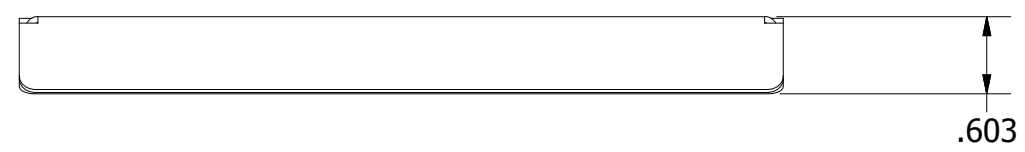
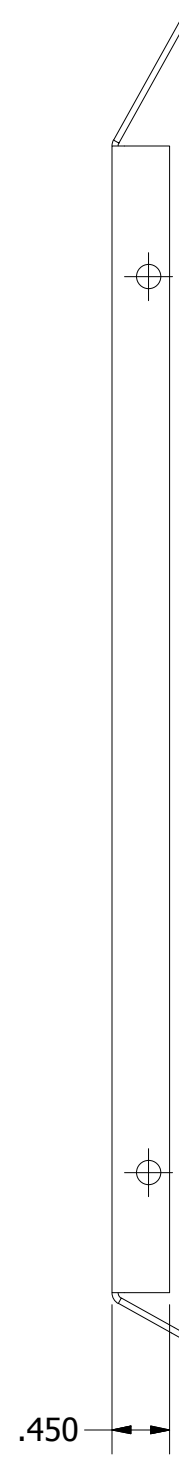
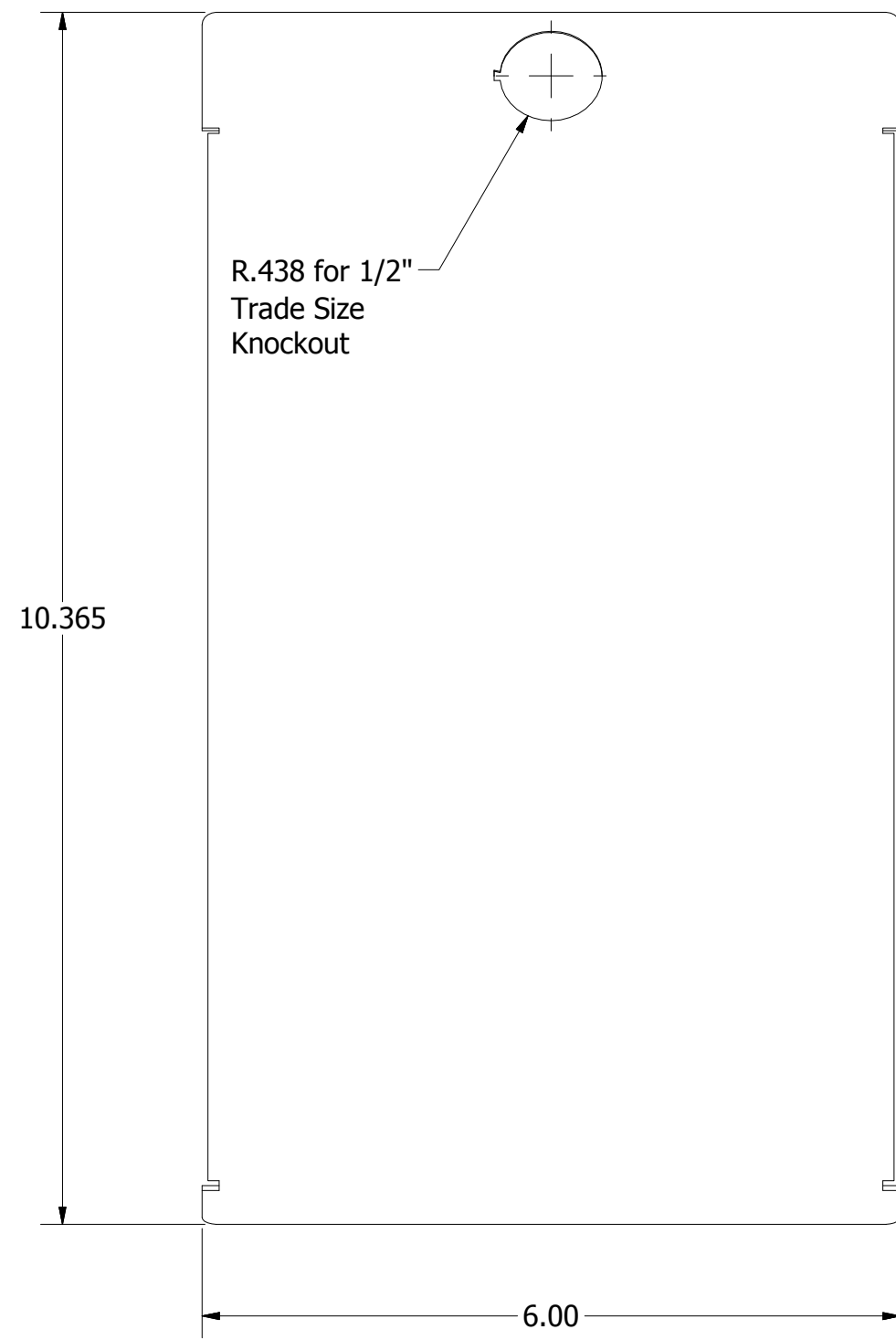


ISOMETRIC VIEW



DRAWN MDA	2/16/2011	Oberon, Inc. - 1315 S. Allen St. - State College, PA 16801		
CHECKED MDA	2/16/2011	TITLE		
QA		Model 1029-00 Right Angle Wall Mount		
MFG MDA	2/16/2011	SIZE C	DWG NO 1694	REV
APPROVED MDA	2/16/2011	SCALE	SHEET 2 OF 3	
TOLERANCE:	.0 = +/- .030 .00 = +/- .015 .000 = +/- .005			

COVER



ISOMETRIC VIEW

DRAWN MDA	2/16/2011	Oberon, Inc. - 1315 S. Allen St. - State College, PA 16801		
CHECKED MDA	2/16/2011	TITLE		
QA		Model 1029-00 Right Angle Wall Mount		
MFG MDA	2/16/2011	SIZE C	DWG NO 1694	REV
APPROVED MDA	2/16/2011	SCALE	SHEET 3 OF 3	
TOLERANCE:	.0 = +/- .030 .00 = +/- .015 .000 = +/- .005			