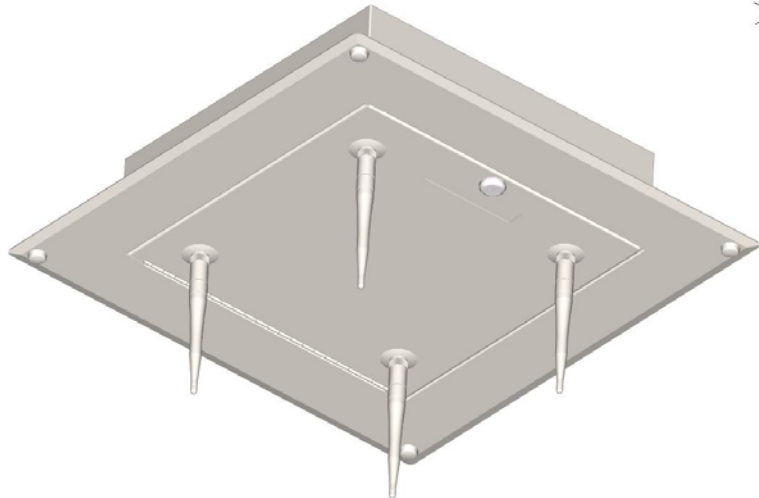


Model 1027-00

“Hard-Lid” Ceiling or Wall Mount Enclosures

The Model 1027-00 wireless LAN access point enclosure is a locking, “hard-lid” ceiling enclosure, designed to accommodate Wi-Fi access points, DAS equipment, and antennas from most manufacturers. This aesthetic, white powder coated steel enclosure has openings in the door for up to seven antennas. The door is interchangeable for new doors specific to different manufacturer’s access points and antennas. This enclosure can be flush mounted or surface mounted on hard ceilings or wall.



Model 1027-00 shown with (4) dipole antennas (not included) mounted on optional bulkhead feed-through (Oberon part number: 35-BULKHD-KIT)

Specifications:

- Designed for surface or flush installation in “hard-lid” ceilings or walls (drywall, plaster, etc.)
- Internal universal mounting plate accommodates access points from most manufacturers
- UL Listed and designed to meet NEC300-22 and 300-23 for plenum installations
- OSHPD approved, OPA # 1638
- Antennas may be mounted on the door using optional bulkhead connectors (Oberon P/N 35-BULKHD-KIT) or Oberon 34-ZDUAL antennas. Doors for other antennas and access points are available.
- Construction: 18 gauge, textured white powder coated steel
- Fully hinged locking door, keyed alike
- Size: Flange is 17.5” x 17.5”, enclosure is 12” x 12” x 4.5” deep, 3.25” useful depth with universal mounting plate in place. Weight: 11 lbs
- Enclosure must be supported by the building ceiling structural system, not tile gridwork.

Model 1027-00 Includes:

- Universal mounting plate for most manufacturers access point, mounting screws & hardware
- (2) ¾” Trade size conduit connectors for power/data cable openings in the back-box
- (4) White cosmetic screw caps for #10 ceiling attachment screws (not included)
- Mounting Instructions