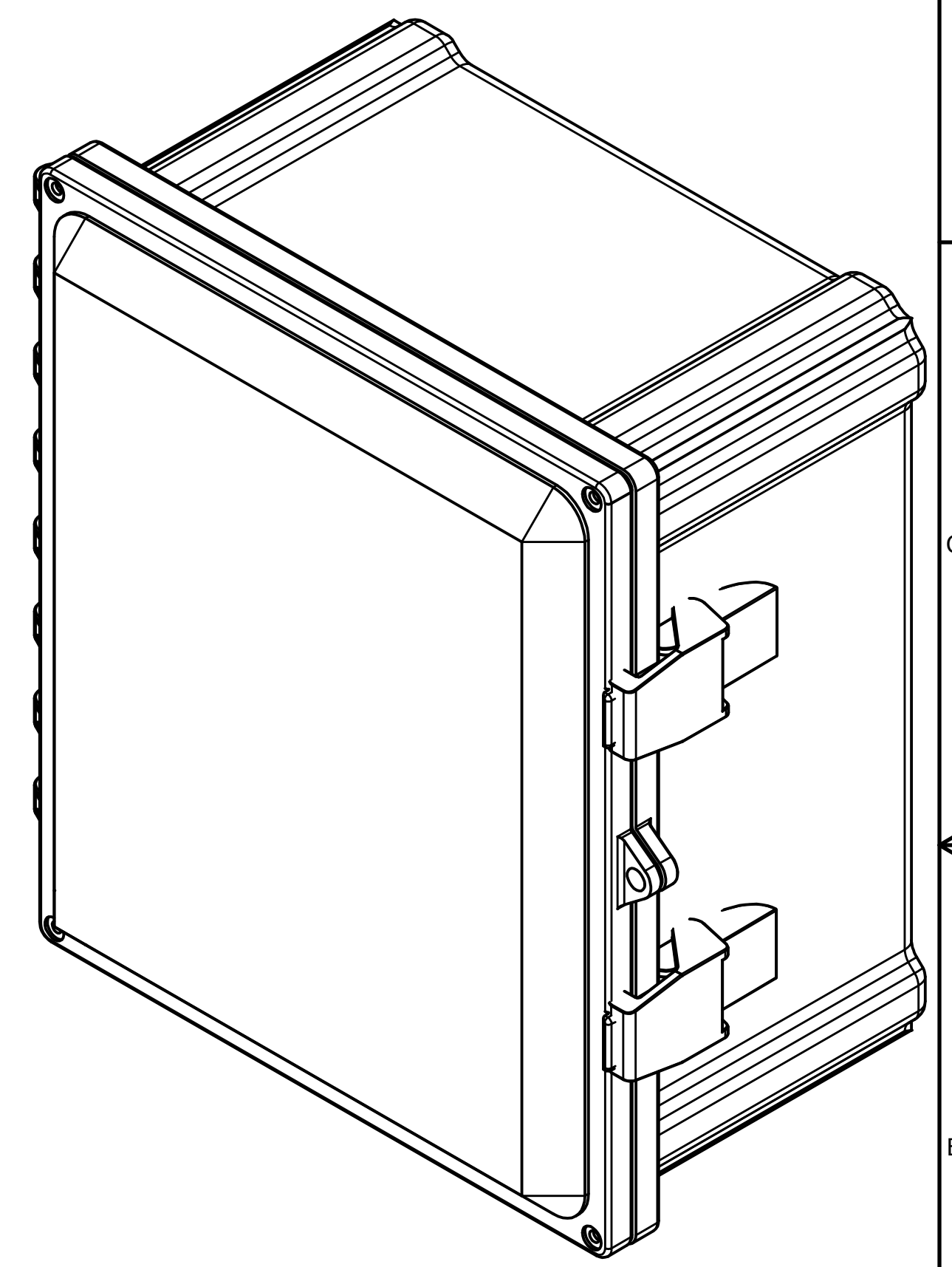
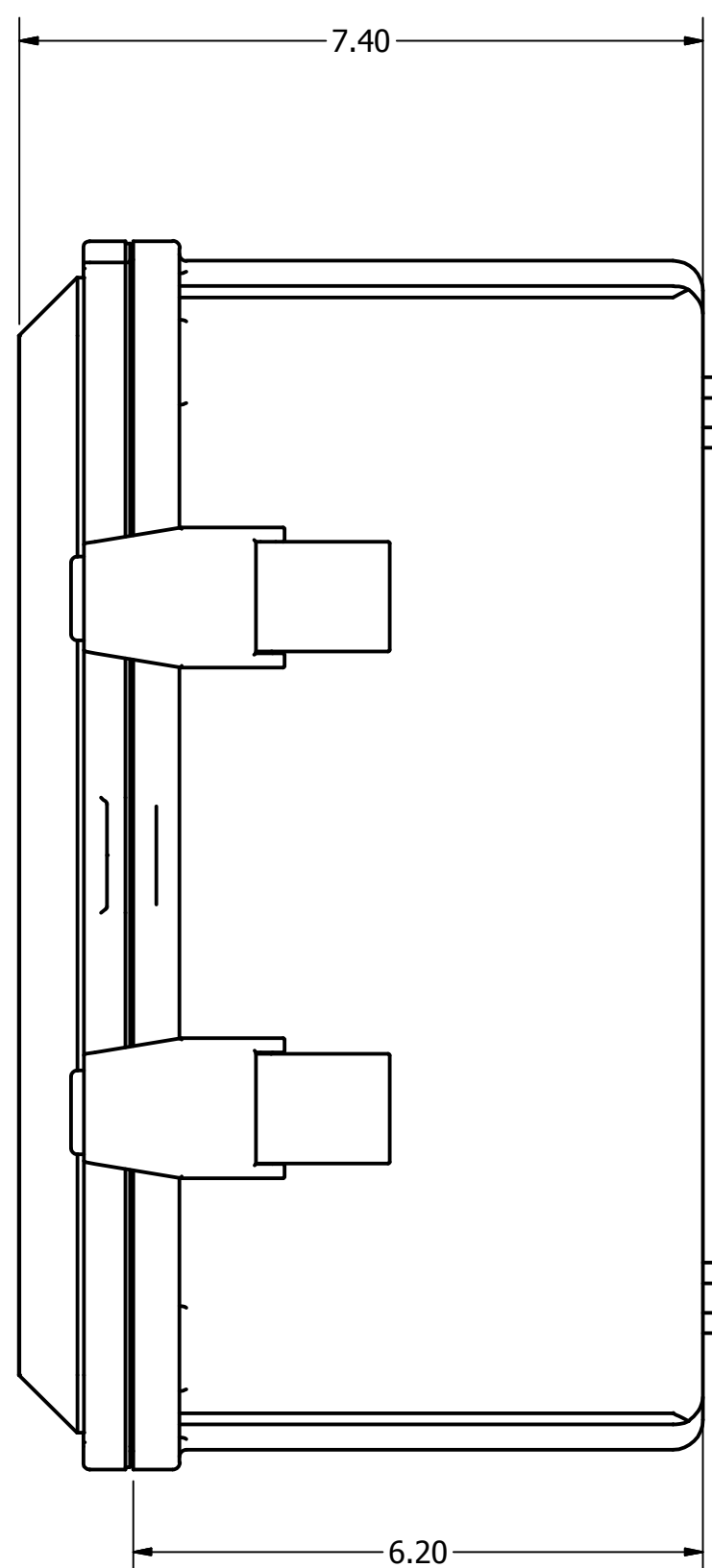
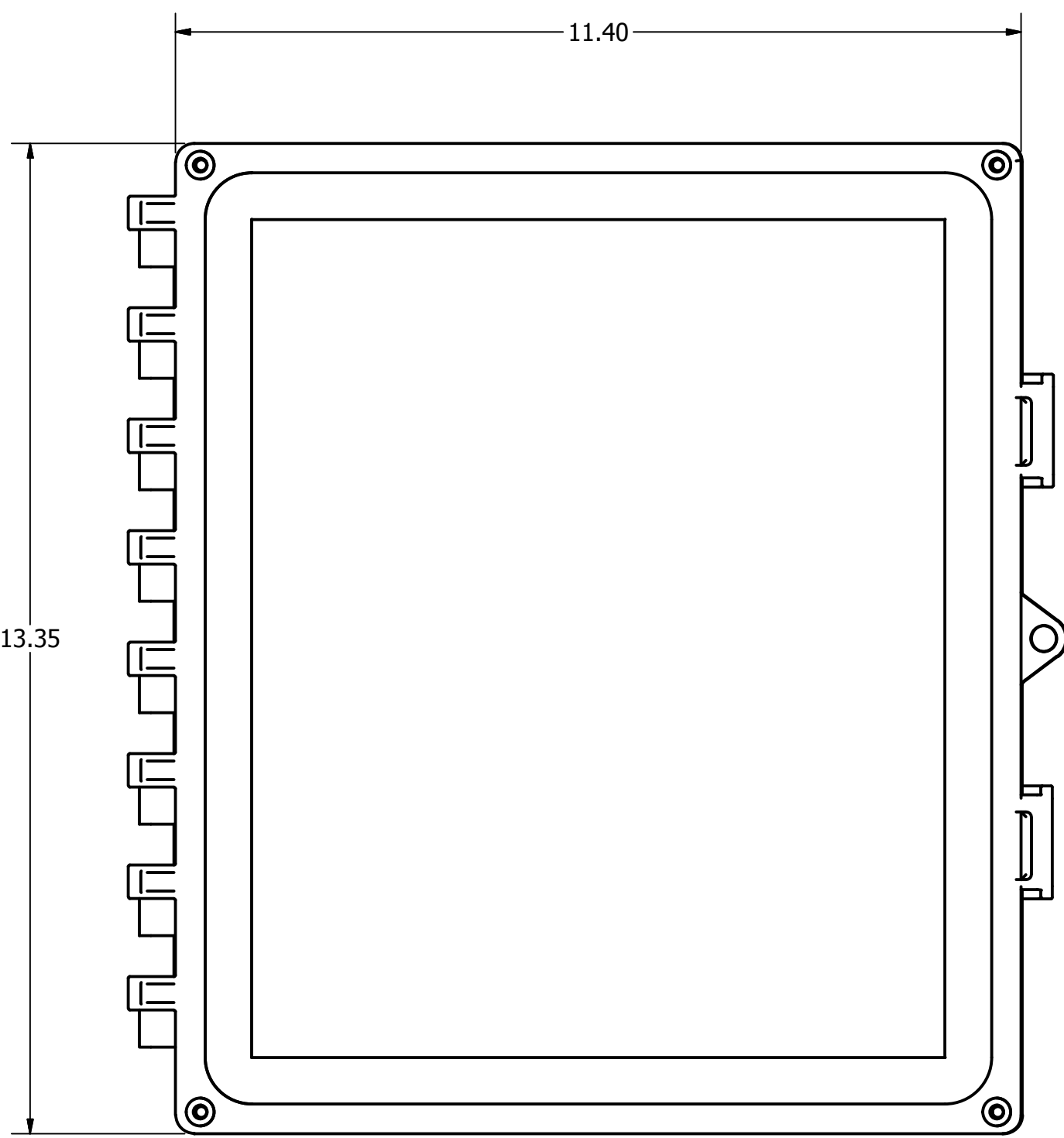
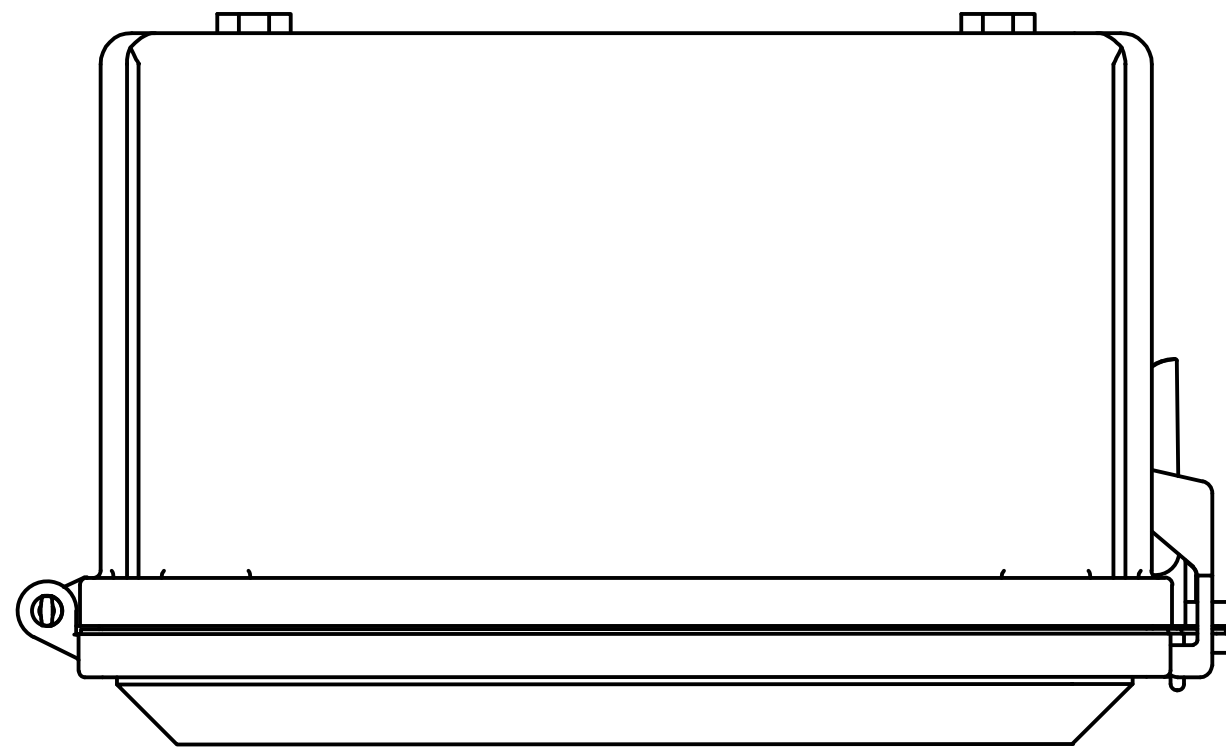


REVISION HISTORY				
ZONE	REV	DESCRIPTION	DATE	APPROVED
All	1	Released	1/11/2012	MDA



ISOMETRIC VIEW

NOTE:
- Usable space is 12" x 10" x 6"

DRAWN MDA	1/11/2012	Oberon, Inc. - 1315 S. Allen St. - State College, PA 16801		
CHECKED MDA	1/11/2012	TITLE		
QA		Model 1026-00		
MFG MDA	1/11/2012	SIZE C	DWG NO 1792	REV 1
APPROVED MDA	1/11/2012	SCALE		
TOLERANCE:		SHEET 1 OF 1		
.0 = +/- .030				
.00 = +/- .015				
.000 = +/- .005				