

# Installation Instructions

Model Number 1025-00

## Assembly Components:

- Fiberglass wall mount enclosure with universal mounting plate – 1 each
  - 3/4" Trade size conduit clamps – 2 each
  - 3/4" Trade size hole plug – 1 each
  - #8 - 32 screw (for attaching mounting feet) – 4 each
  - Mounting feet – 4 each
  - Installation Instructions – 1 each
  - Keys for access door lock – 2 each
- If any of these items are missing, contact your Oberon representative.

Find a flat work surface to assemble the enclosure, access point's mounting plate, cable clamp, and antenna(s) prior to mounting on wall.

Step 1 – Place the enclosure assembly on the work surface with the door unlocked.



Figure 1

Step 2 – Use the *mounting hole legend* to determine the mounting hole locations for the type of *access point* chosen. Securely fasten the *access point's mounting bracket* to the enclosure's universal mounting plate using (4) # 8-32 screws (not included) as defined by the mounting hole legend. *If using the Cisco 1040, 1140, 1250, 1260, or 3500 series wireless access point, please use Cisco AIR-AP-BRACKET-2.*

Step 3 – If applicable, install the conduit clamp(s). Close the unused hole with the hole plug. Secure the mounting feet to the back of the enclosure with the four (4) #8-32 screws (Figure 1).

The assembled unit is now ready for wall mounting.

Step 4 – Place the enclosure on the wall where it is to be installed (it is recommended that you mount directly to a stud) and mark the screw locations. Use a minimum of two (2) #10 x 2" or larger screws to secure the enclosure in place. However, if there is no stud at the mounting location, it is recommended that you use a minimum of 4 suitable anchors to secure the enclosure in place (Figure 2).

Step 5 – Run the data and power cable (if required) through the conduit clamp located on either the top, back, or bottom of the enclosure. In order to maintain a separation of signal and power, data and power cables should enter through separate conduits.

Step 6 – Install the *access point* in the enclosure and attach the data, power and antenna cables as required.

Step 7 – Close and lock the door. Tighten the door screws evenly to ensure compression of the door on the seal. Do not over tighten.

**Note:** For NEMA4 compliance, the access holes in the bottom of the enclosure should be sealed to prevent water ingress.

**⚠\*\*IMPORTANT\*\* - Since the enclosure is non-metallic, bonding between metallic conduit is not automatic. Separate bonding must be provided.**

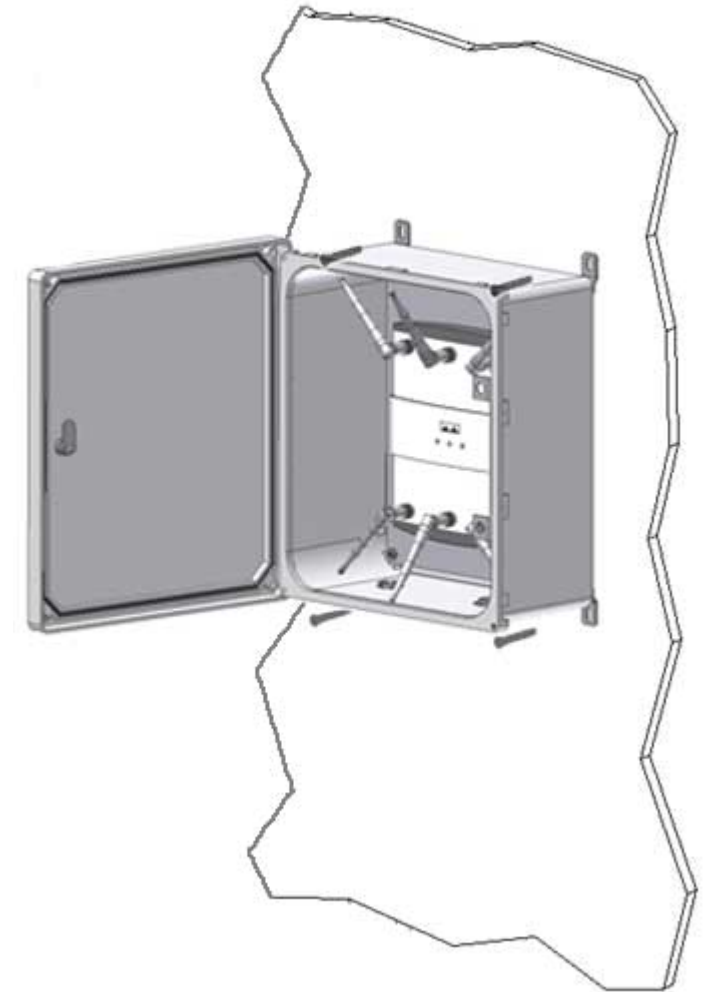
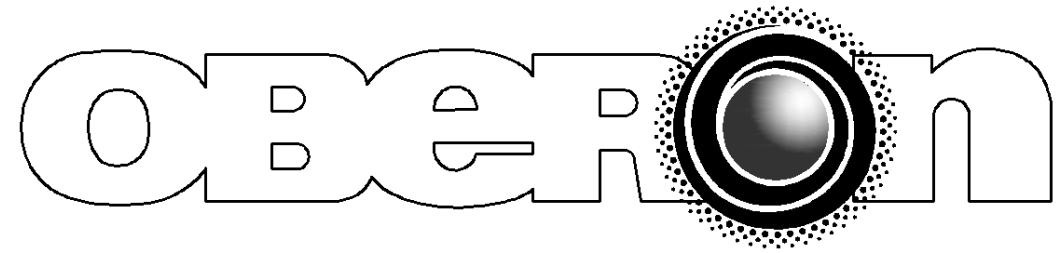


Figure 2



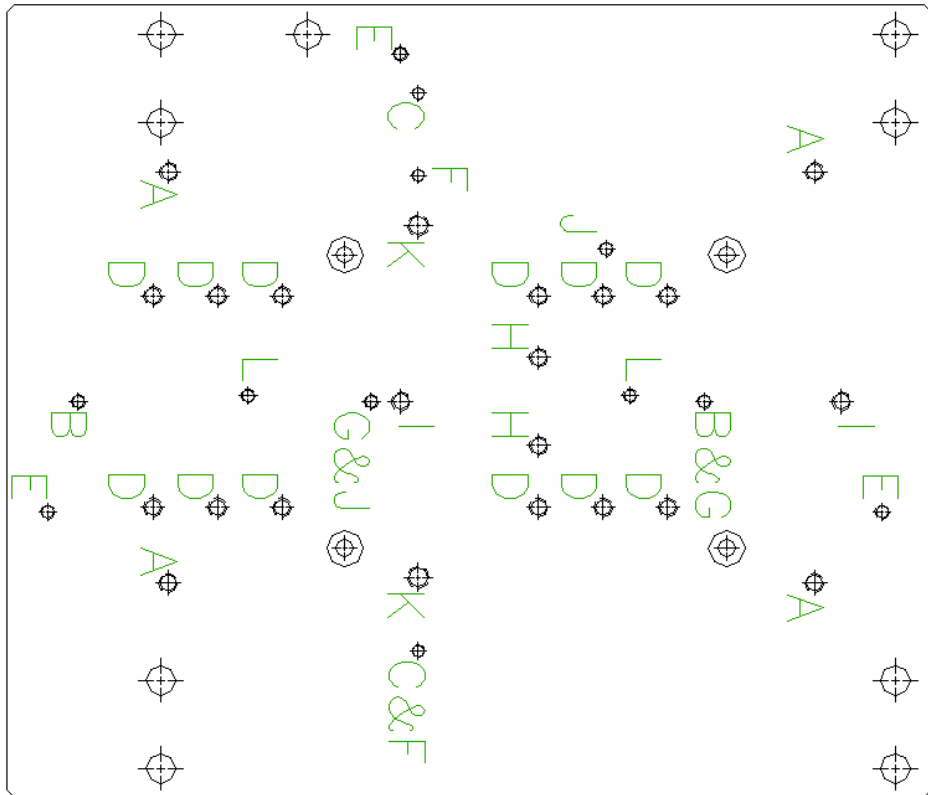
# MODEL 1025-00

## Installation Instructions

### \*\*\*\* WARNING \*\*\*\*

Please thoroughly read the product warning below before installation to provide for a safe work environment.

1. Always consider the hazard to other people:
  - a. During installation, use warning signs, etc.
  - b. Don't work with people directly below the work area as equipment could fall and cause an injury
2. Be sure to securely fasten the enclosure to the wall or ceiling to prevent the enclosure from becoming dislodged.



Mounting hole legend.

- A – Cisco AP350
- B – Netgear
- C – Cisco AIR-WGB350 and Juniper AP
- D – Cisco AP1242 & AP1200 Cisco 1140 & 3500 series and BlueSocket
- E – Orinoco AP-2000
- F – Newbury
- G – Secnet 11
- H – Chantry Networks BeaconPoint BP200
- I – AirMagnet Sensor
- J – Orinoco AP-4000
- K – Cisco 1000
- L – Aruba AP70