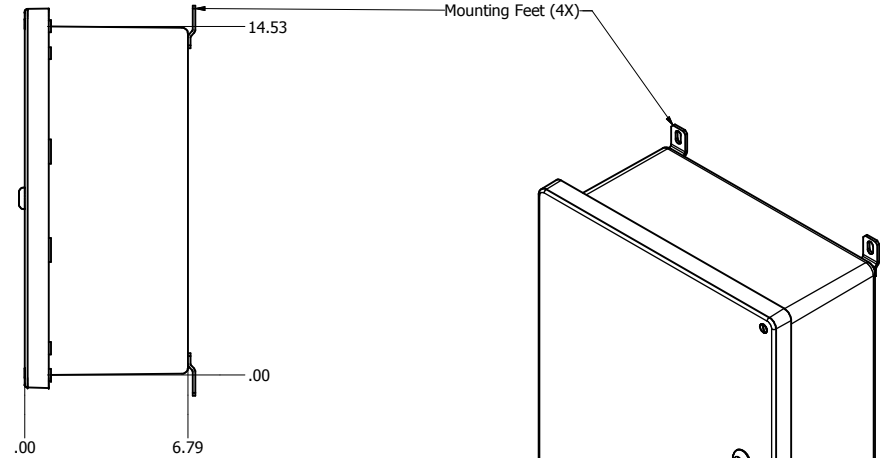
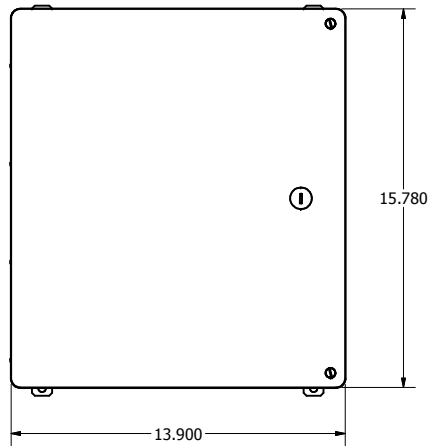
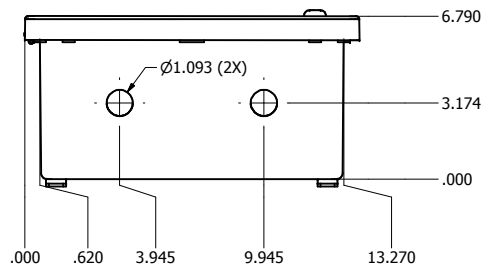


REVISION HISTORY				
ZONE	REV	DESCRIPTION	DATE	APPROVED
All	1	Released	8/12/2010	MDA



ISOMETRIC VIEW



DRAWN	MDA	8/12/2010	Oberon, Inc. 1315 S. Allen St. Suite 410 State College, PA 16801		
CHECKED	MDA	8/12/2010	TITLE		
MFG	MDA	8/12/2010	Model 1025-00 Outdoor NEMA Enclosure		
APPROVED	MDA	8/12/2010	SIZE	DWG NO	REV
			C	1659	1
SCALE			SHEET 1 OF 1		