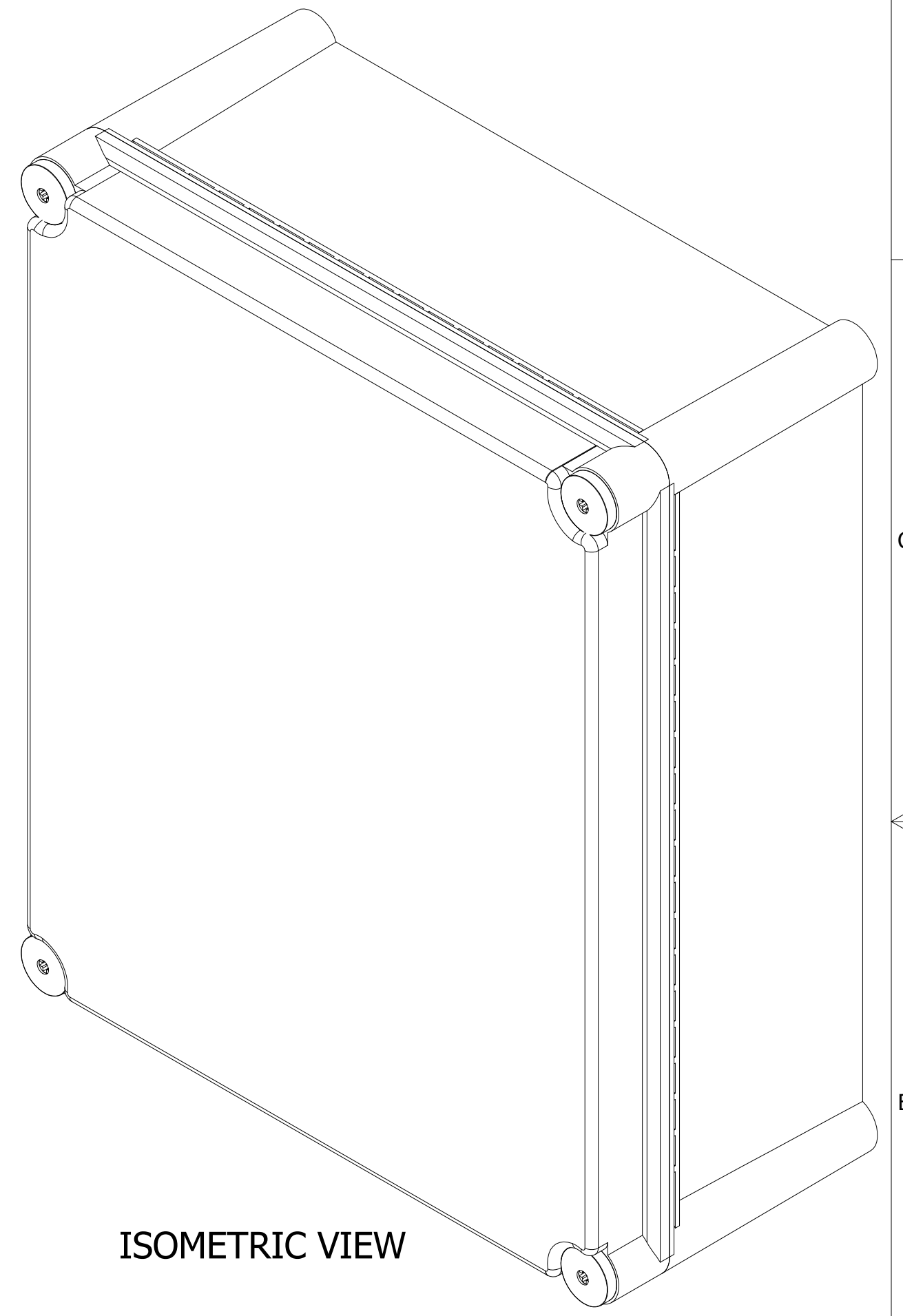
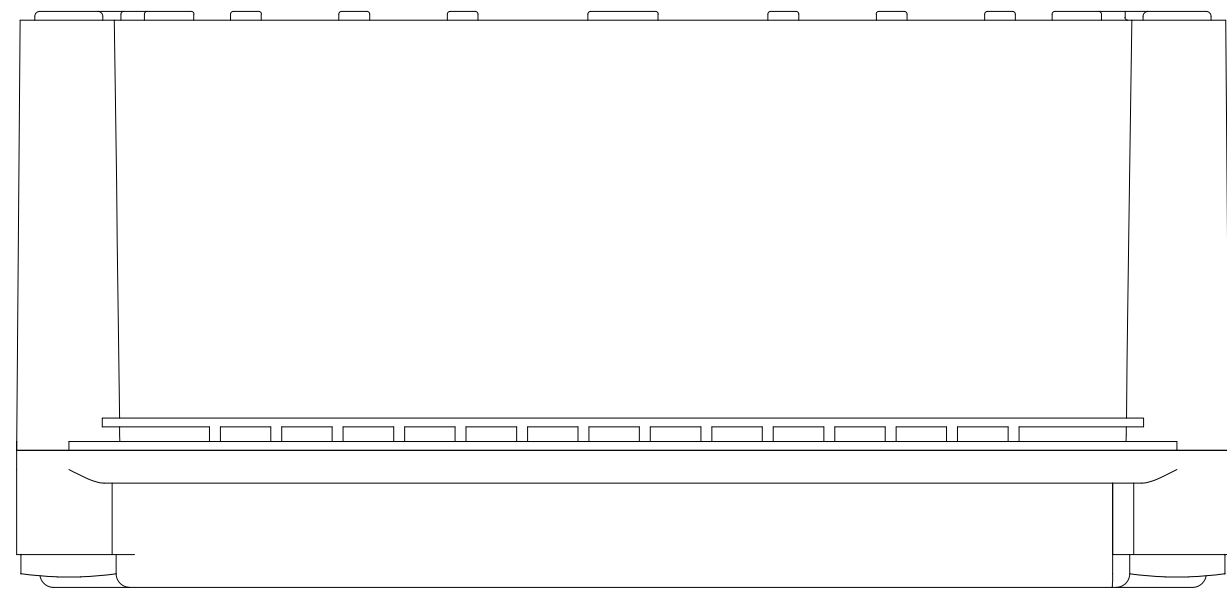
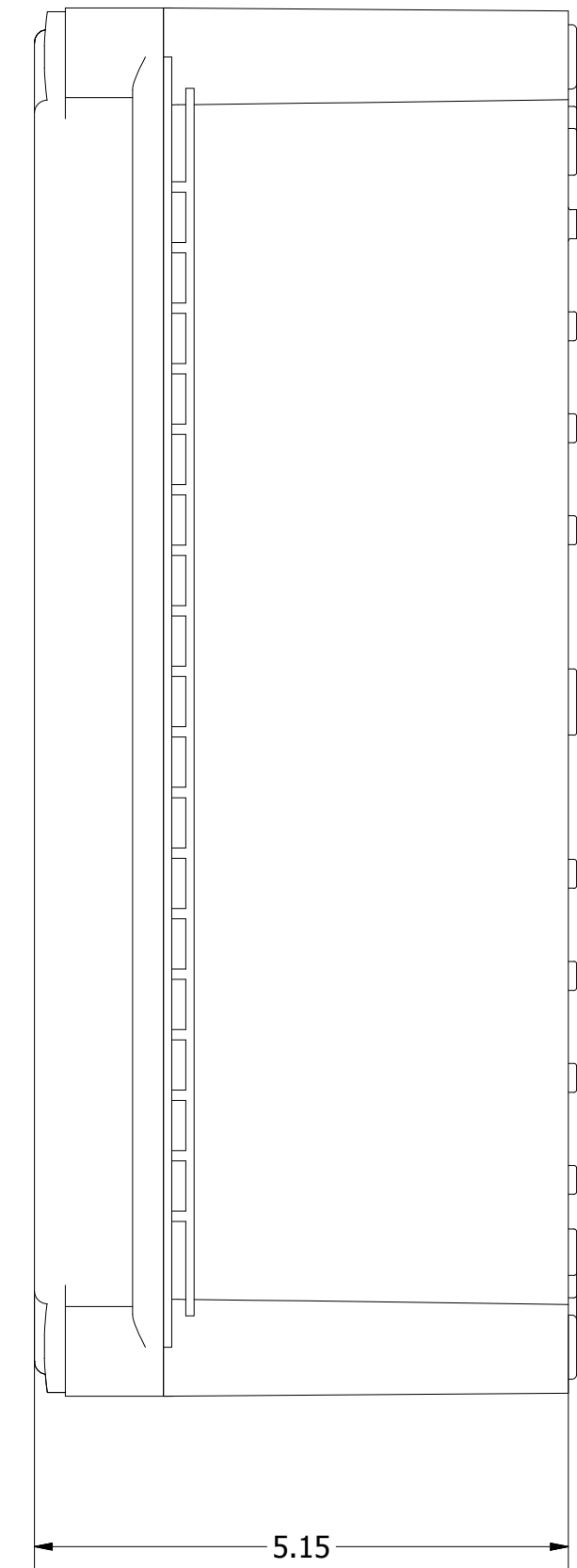
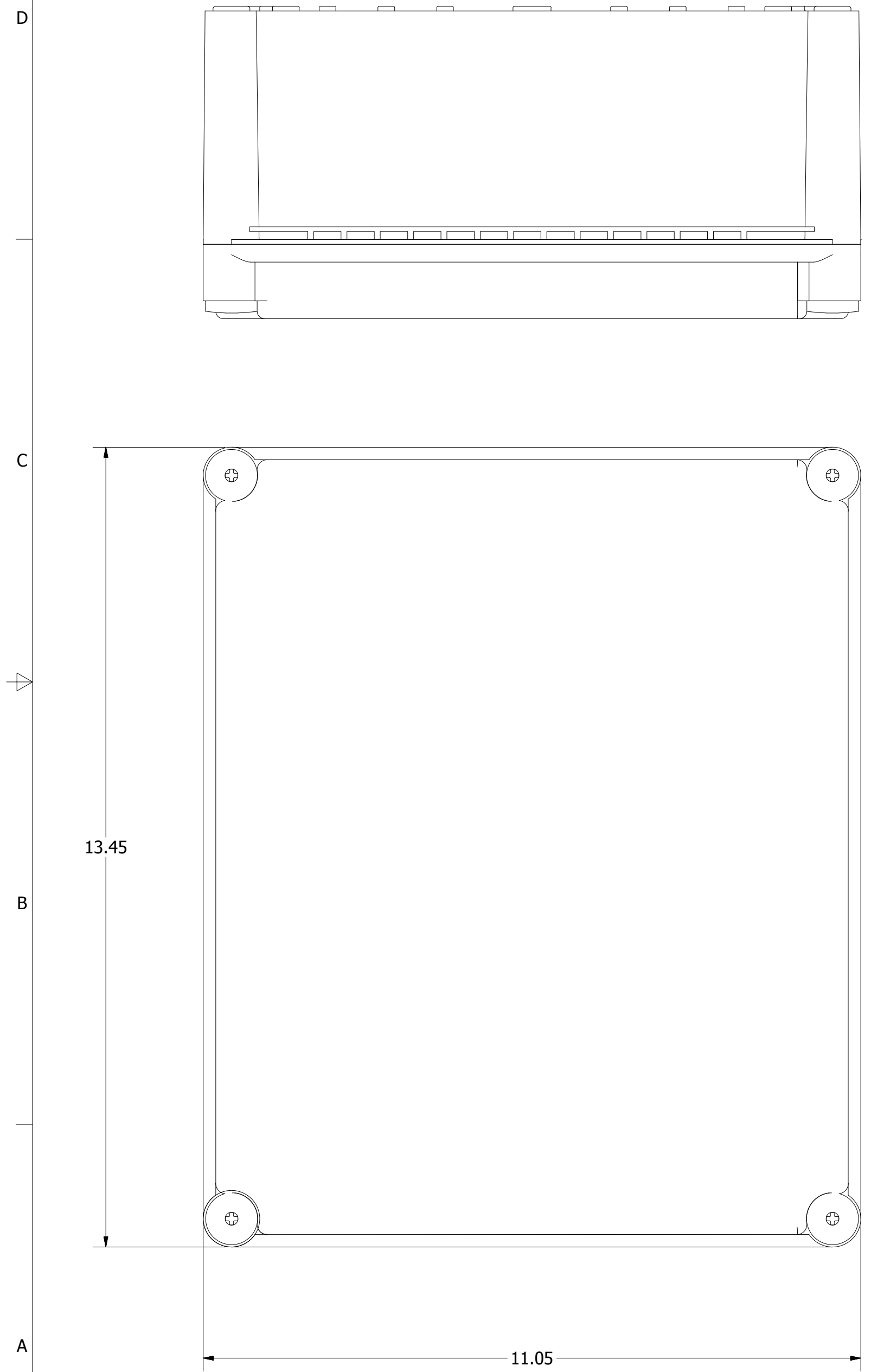


REVISION HISTORY				
ZONE	REV	DESCRIPTION	DATE	APPROVED
All	1	Released	1/11/2012	MDA



ISOMETRIC VIEW



DRAWN MDA	1/11/2012	Oberon, Inc. - 1315 S. Allen St. - State College, PA 16801		
CHECKED MDA	1/11/2012	TITLE		
QA		Model 1021-00		
MFG MDA	1/11/2012	SIZE C	DWG NO 1791	REV 1
APPROVED MDA	1/11/2012	SCALE		SHEET 1 OF 1
TOLERANCE:	.0 = +/- .030 .00 = +/- .015 .000 = +/- .005			