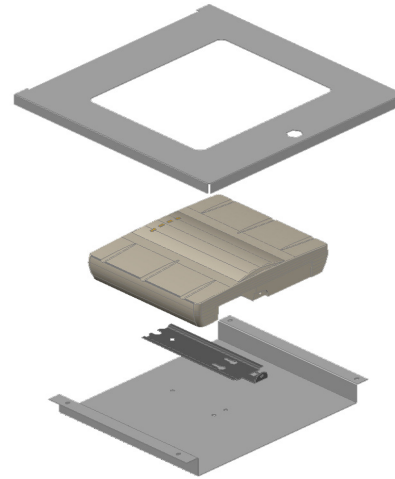


Model 38-1052-ADPDOOR-ENTERASYS

Retrofit Doors

Oberon's Model 1052-00 wireless LAN access point enclosure is a locking 2' x 2' ceiling tile enclosure originally designed for most vendor's wireless LAN access points with detachable antennas. For those 1052-00 customers migrating to the Enterasys AP3605/AP3610/AP3630 wireless access points with body integrated antennas, Oberon has designed the 38-1052-ADPDOOR-ENTERASYS retrofit door. The ENTERASYS retrofit door replaces the standard 1052-00 door. The access point is attached to a mounting bracket, which is then attached to the interior of the retrofit door. The door is then closed and locked. The solution is secure and aesthetic, and retains the original UL50 design criteria. Upgrades are performed without accessing the air handling space above the ceiling.



1) Model 1052-00 shown with 38-1052-ADPDOOR-ENTERASYS retrofit door and Enterasys 3610 AP (not included) 2) Exploded view of the adaptor door, access point, access point mounting bracket, and assembly mount bracket

Specifications:

- Retrofit door designed to mount the Enterasys AP3605, AP3610 or AP3630 series 802.11n wireless access point into existing Oberon Model 1052-00 ceiling tile enclosure
- UL listed and designed to meet NEC300-22 and 300-23 for plenum installations
- With adaptor door properly installed, the assembly is UL listed and designed to meet NEC300-22 and 300-23 for plenum installations
- Construction: Textured white powder-coated steel, 14 ga. door
- Fully hinged locking door, keyed alike.
- Adaptor door is attached to enclosure with (3) nuts

Model 38-1052-ADPDOOR-ENTERASYS Includes:

- Adaptor door
- Assembly mount bracket and nuts
- Installation instructions