

# 34-ZDUAL DUAL BAND WI-FI ANTENNA

## ANTENNA

**General Specifications:**

Dual band Low Profile Antenna

**Radome Material:**

UL 94-V0 PC/ABS

**Polarization:**

Vertical, Linear

**Nominal Impedance:**

50 Ohms

**Cable:**

16" Plenum rated RG-58/U PL

**Connector Options:**

Reverse Polarity TNC  
Reverse Polarity SMA

**Mounting Method:**

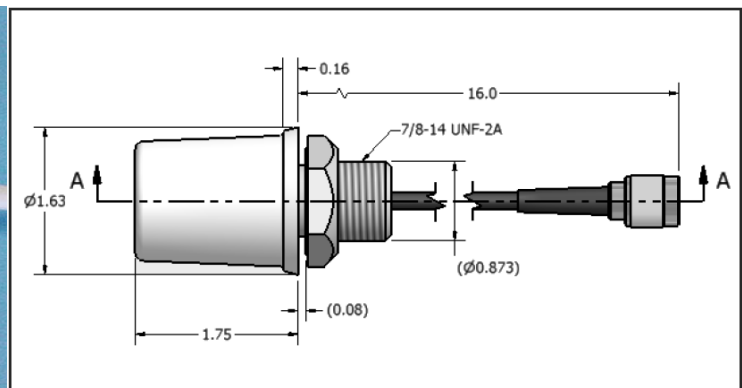
Through hole 15/16 dia (0.94)  
7/8-14 UNF plastic Hex-Nut

*This antenna provided superior pattern coverage for indoor applications operating in 2400-2500 MHz, as well as 4900 to 5825 MHz. This economical model provided industry leading wideband performance and omni-directional gain. It features an attractive, compact package that is ideal for indoor applications where aesthetics are important.*



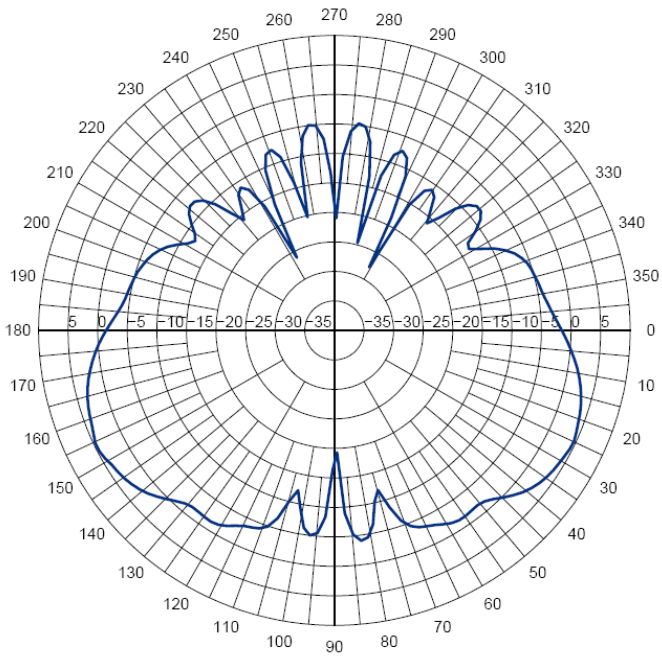
### Electrical Specifications

Frequency Range	Nominal Gain	H-Plane Beamwidth	E-Plane Beamwidth	VSWR	Maximum Input Power
2400-2500 MHz	4 dBi	Omni-directional	35° Nominal	< 2.0:1	10 Watts
4900-5825 MHz	4 dBi	Omni-directional	20° Nominal	< 2.0:1	10 Watts

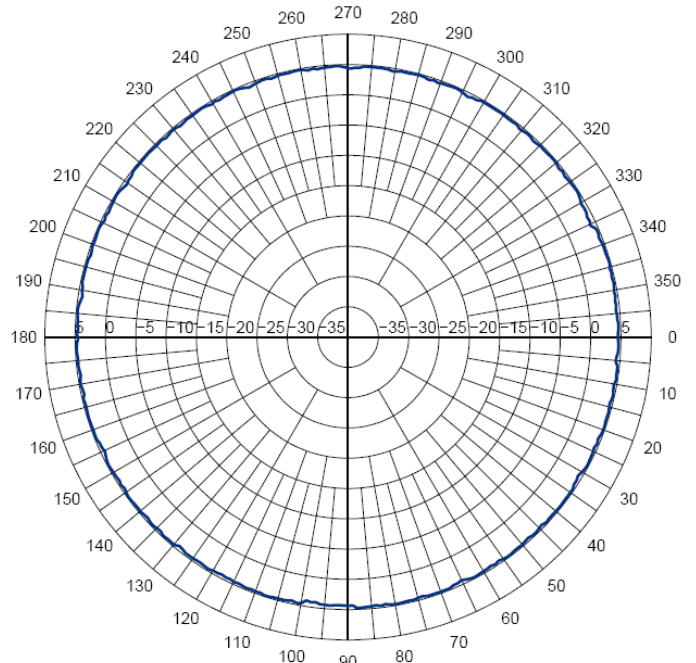


# 34-ZDUAL-KIT DUAL BAND WI-FI ANTENNA (Cont.)

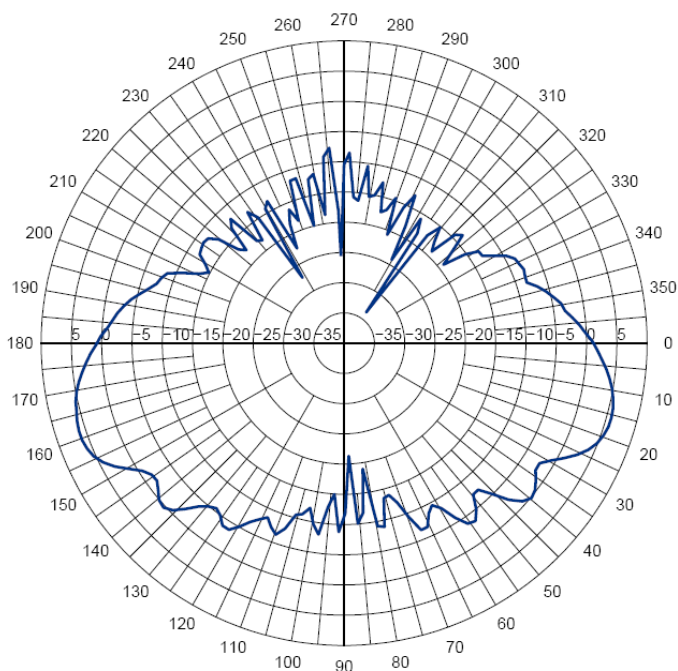
## ANTENNA



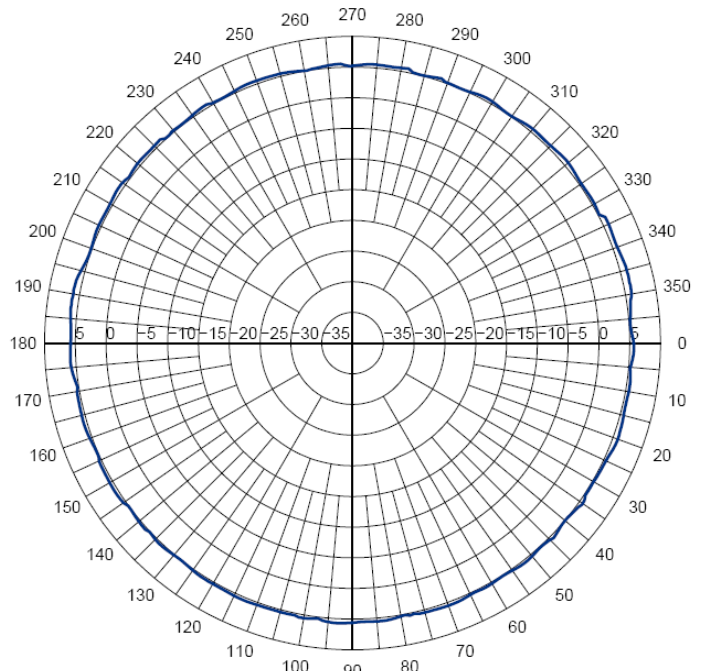
Elevation Cut at 2.4 GHz



Azimuth Cut at 2.4 GHz



Elevation Cut at 4.9-5.9 GHz



Azimuth Cut at 4.9-5.9 GHz