

Installation Instructions

Model Number 1081

Assembly Components:

- Outdoor enclosure Model 1081-00 assembly – 1 each
- #6 - 32 X ½" screw – 3 each
- #6-63 nut – 3 each
- 11" cable tie – 3 each
- Adhesive backed cable tie pad – 4 each
- 11" Cable ties – 4 each
- U-Bolts – 2 each
- Keys for access door lock – 2 each
- Antenna kit (included with model 1081-01 only) - 1 each (includes swivel mount, antenna bracket, 8.5 dBi panel antenna, and mounting hardware)
- OPTIONAL – universal mounting plate kit (for use with standard access points) 1 each (includes mounting plate, (4) spacers, and (8) #10-32 X ¾" screws)

If any of these items are missing, contact your Oberon representative.

⚠️NOTE**** - If the Sony camera and Proxim MP11 radio bridge are purchased separately from the enclosure, start assembly at "Step 1". If enclosure, camera and radio bridge are purchased as a pre-assembled unit, proceed to "Step 6 - Installing the Enclosure".

RACK ASSEMBLY

Step 1 – Open the enclosure and remove the two racks by removing the four (4) screws that hold each in place. Both racks are identical in design.

Step 2 – Mount the camera to one of the racks by using the mounting screws provided with the camera. Attach the camera to the bottom side of the rack as shown in *Figure 1*. Do not use the mounting plate provided with the camera, mount the camera directly to the rack.

Step 3 – Mount the camera's power adaptor to the topside of the rack by first attaching two (2) adhesive backed cable tie pads to the rack located approximately as shown in *Figure 1*. Using two (2) 11" cable ties, insert the cable ties through the openings in the pads and secure the power adaptor by firmly tightening the cable ties around the adaptor. Secure any loose wires/cables to the top of the rack using an additional cable tie and adhesive pad. Be sure to leave enough slack in the power cord so that it may be plugged in to the outlet when the camera is installed in the enclosure.

Step 4 – Mount the radio bridge to the second rack. First, the radio bridge housing must be disassembled (reference radio bridge owners manual if unsure how to perform this operation). Use three (3) #6-32 X ½" screws and three (3) #6-32 nuts to attach the housing to the rack as shown in *Figure 2*.

Step 5 – Reassemble the radio bridge (be sure to attach the Ethernet cable and power adaptor prior to reassembling the housing). Secure the excess cable from the power adaptor to the bottom side of the rack, using an adhesive backed cable tie pad and cable tie. Be sure to leave enough slack in the adaptor plug cord so that it may be plugged in to the outlet when the radio bridge is installed in the enclosure.

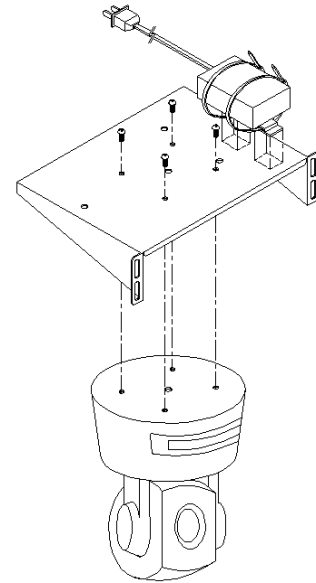


Figure 1 – Mounting Sony network camera to rack.

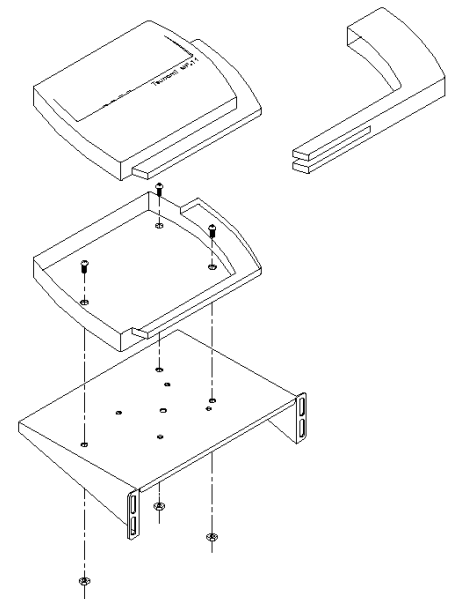


Figure 2 - Mounting radio bridge to rack.

Installation Instructions

Model Number 1081

INSTALLING THE ENCLOSURE

Step 6 – If the rack assemblies are installed in the enclosure, remove the rack assemblies and set aside.

Step 7 – The enclosure can be mounted to either a pole or a wall. To mount to a standard 2" diameter pole, install the two (2) U-Bolts so that the center of the U-Bolt goes around the pole and through the inner set of mounting holes on the enclosure as illustrated in *Figure 3*.

Step 8 – Secure the enclosure to the pole by installing the nuts from the opposite side of the enclosure's mounting bracket and tightening firmly.

⚠️NOTE**** - Alternatively, the enclosure can be mounted directly to a wall. To mount to a wall, determine the proper type screws to use, based on the surface on which the enclosure will be mounted (screws for wall mounting not provided). Use the outer set of mounting holes when attaching the enclosure to a wall.

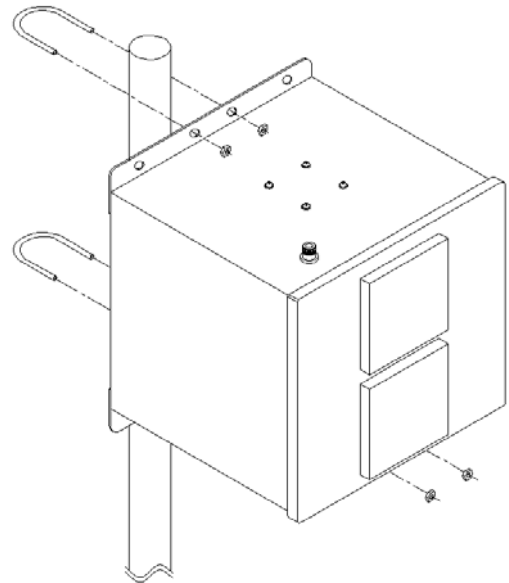


Figure 3 – Mounting on standard 2" pole.

WIRING THE ENCLOSURE

⚠️IMPORTANT**** - Wiring of the enclosure must be performed by a qualified electrician. Wiring of the electric outlet, heating unit and fan unit have been completed at the factory. It is, however, necessary to have a qualified electrician bring 115V AC power into the enclosure. Failure to properly wire the enclosure could result in property damage, equipment damage, serious personal injury, or death.

Step 9 – Three (3) leads are provided inside the junction box for wiring purposes. To access the leads, remove the junction box cover by removing the two screws that hold it in place (ref. *Figure 4*). The leads are color-coded based on the National Electric Code (NEC) standards as follows:

Black Lead – Hot
White Lead – Neutral
Green Lead – Ground

Step 10 – Bring AC power into enclosure through the conduit adaptor located on the bottom of the enclosure. It is strongly recommended that you use conduit to protect the electrical wiring. The adaptor supplied with the enclosure is designed for 1/2" trade PVC conduit. A metal conduit adaptor, cable clamp, or compression fitting can be used to replace the PVC adaptor as required to meet your specific wiring needs.

Step 11 – Connect the leads to the incoming AC power in a manner that meets all applicable electric codes.

Step 12 – Replace the junction box cover.

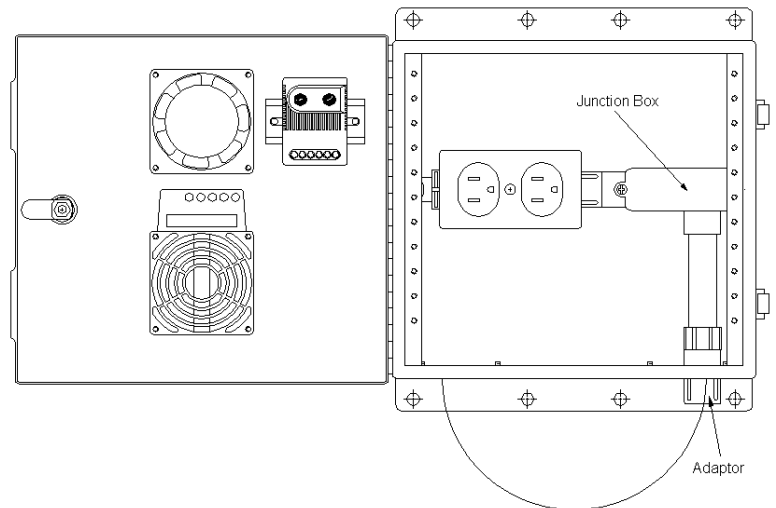


Figure 4 - Wiring the enclosure.

Installation Instructions

Model Number 1081

INSTALLATION OF CAMERA AND BRIDGE

After completion of wiring, the camera and wireless radio bridge assemblies can be installed.

Step 13 – The camera assembly should be installed first. To install the camera assembly, tilt it at a 45° angle and insert into the enclosure, straightening the assembly to vertical as you lower the camera into the dome. To verify that the camera is positioned correctly, view the camera through the dome. The camera is properly positioned when there is approximately a ¼" gap between the top of the camera and the inside surface of the dome.

Step 14 – Secure the camera assembly in place using the four (4) #8-32 X 3/8" screws that were previously removed.

Step 15 – Plug the camera into the side of the receptacle closest to the door hinge.

Step 16 – To install the radio bridge, slide the assembly straight into the enclosure. Locate the assembly so that there is approximately ½" of space between the top of the bridge and the top of the enclosure.

Step 17 – Secure the radio bridge assembly in place using the four (4) #8-32 X 3/8" screws that were previously removed.

Step 18 – Attach the Ethernet cable, (previously attached to the radio bridge in "Step 5") to the camera.

Step 19 – Plug the wireless radio bridge's power adaptor into the side of the receptacle farthest from the door hinge.

Step 20 – The wireless radio bridge comes with an N-Male antenna connector. Screw the connector into the bottom side of the N-Female bulkhead connector located on the top of the enclosure.

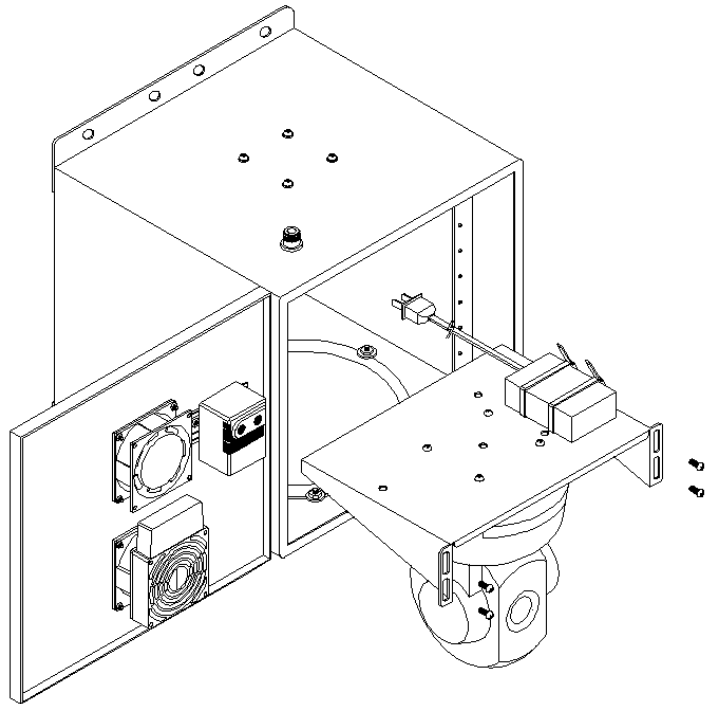


Figure 5 - Installation of camera.

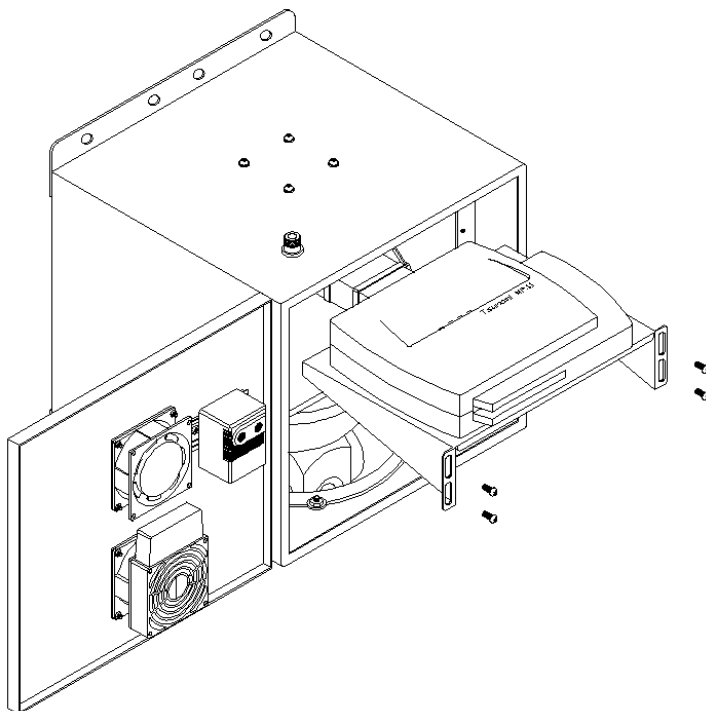


Figure 6 - Installation of wireless radio bridge.

Installation Instructions

Model Number 1081

SETTING TEMPERATURE CONTROLS

Step 21 – Set the dual range thermostat to the desired temperature range by rotating the heater control (red dial) and fan control (blue dial) to the desired temperatures (ref. *Figure 7*). The dials can be set to any temperature between 32°F and 140°F. To rotate the dials, insert the tip of a small straight head screwdriver into the slot located in the center of the dial. Rotate the dial so that the arrow is pointing to the desired temperature.

The temperature is pre-set at the factory to 50°F for the heating unit and 90°F for the fan. However, optimum set points for the heater and fan will vary depending on the climate of the area where the enclosure is located.

INSTALLING THE ANTENNA (1081-01 ONLY)

Step 22 – Remove the four (4) #10-32 screws and urethane washers from the top of the enclosure.

Step 23 – Using the four (4) #10-32 X ½" screws supplied with the antenna kit, place a urethane washer on both sides of the mounting holes of the antenna adaptor (ref. *Figure 8*). Place the adaptor on the top surface of the enclosure, aligning the screws with the four (4) mounting holes. Secure the antenna by tightening the screws so that compression of the washers is evident (about an additional ½ to 1 full turn after you feel the screw come in contact with the washers).

Step 24 – After the antenna is secured, attach the N-Male connector to the N-Female bulkhead located on the top of the enclosure.

ADDITIONAL NOTES

- 1) The Ethernet cable used to attach the camera to the wireless bridge (customer supplied) should optimally be about 16" in length.
- 2) Although the enclosure was specifically designed for use with a Sony SNC-RZ30N camera and Proxim MP11 radio bridge, the enclosure can be used with many different manufacturers' bridges / access points and cameras.
- 3) An optional universal mounting plate kit is available to be used with access points from most manufacturers.
- 4) The racks include a center-mounting hole that can be used with the "tripod mounting holes" on most cameras.

Heater control (red) - Set minimum temperature to be maintained in enclosure.

Fan control (blue) - Set maximum temperature prior to fan operation.

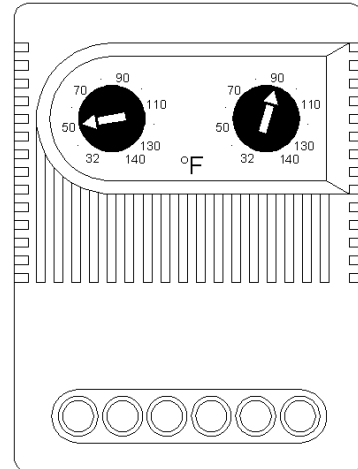


Figure 7 – Temperature control settings.

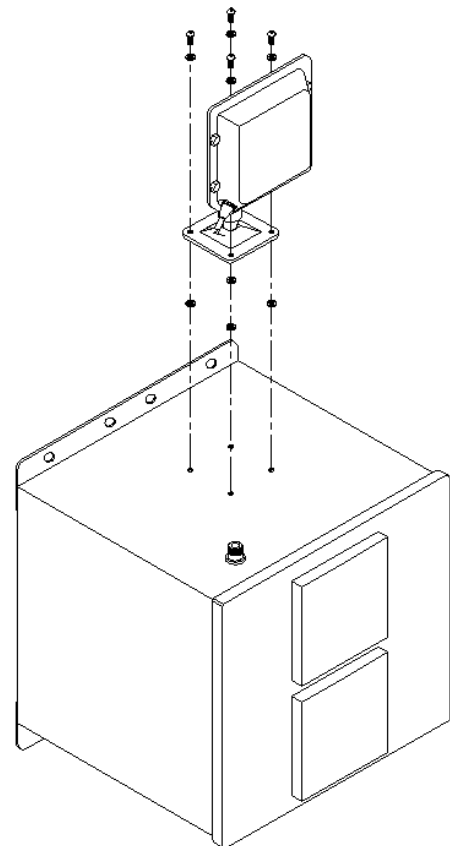


Figure 8 - Mounting the antenna.