

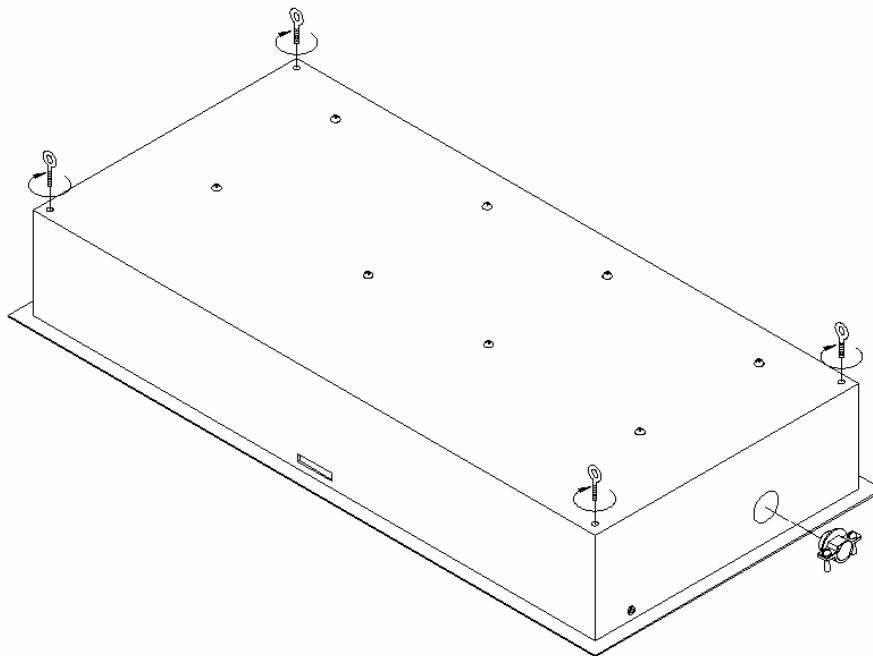
Assembly Components:

- Ceiling enclosure Model 1061-00 assembly – 1 each
- #6 – 32 eyebolt – 4 each
- #6 – 32 hex nut – 4 each
- #8 - 32 screw – 8 each
- Mounting hole legend – 1 each
- Keys for access door lock – 2 each

If any of these items are missing, contact your Oberon representative.

Find a flat work surface to assemble the *ceiling enclosure*, *access point* and *antenna(s)* prior to mounting in ceiling.

Step 1 – Place the *ceiling enclosure assembly* on the work surface with the keyed doorway unlocked. Install the 4 eyebolts from the topside of the access point enclosure and the nuts from the underside of the unit. The *eyebolts* will be used to secure the enclosure with grid wires.



Step 2 – Use the *mounting hole legend* to determine the mounting requirements for the type of *access point* chosen. Securely fasten the *access point* to the mounting plate using (4) # 8-32 screws as defined by the mounting hole legend. Up to two (2) Access Points may be installed within the enclosure.

NOTE: If only one Access Point is being installed, you may optionally elect to remove one of the mounting plates and move the remaining mounting plate to the center position. This does not effect the performance of the Access Point.

