

# Installation Instructions

Model Number 1060-00

## Assembly Components:

- Ceiling AP mount Model 1060-00 assembly – 1 each
- #6 – 32 eyebolt – 2 each
- Keys for access door lock – 2 each

If any of these items are missing, contact your Oberon representative.

Find a flat work surface to assemble the ceiling AP mount and access point prior to mounting in ceiling.

Step 1 – Turn AP mount upside down so that the access point opening is facing toward the table and the connector clamp is facing upward.

Step 2 – Install the eyebolts in the threaded holes located along the centerline of the AP mount edge as illustrated in Figure 1.

The eyebolts will be used to attach the AP mount to a permanent structure within the ceiling using grid wire.

Step 3 – Turn the AP mount over so that the access point opening is facing upward. Install the mounting plate using four (4) #6-32 flat head screws (included with the Cisco 1130AG Access point). The raised lock tab should be facing the key lock on the AP mount as in as shown in Figure 2. Install the screws in the Cisco mounting plate using the holes designated as "A"

**NOTE:** At this point, you may install the access point (steps 4 – 6) into the AP mount, or you may proceed directly to steps 7 – 11 to install the AP mount in the ceiling, and then return to steps 4 – 6 to install the access point.

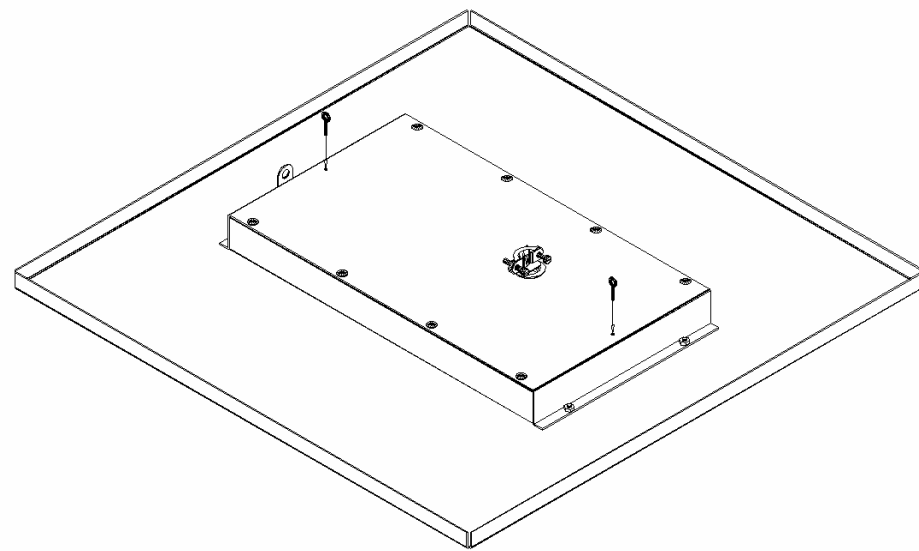


Figure 1 - Installation of eyebolts.

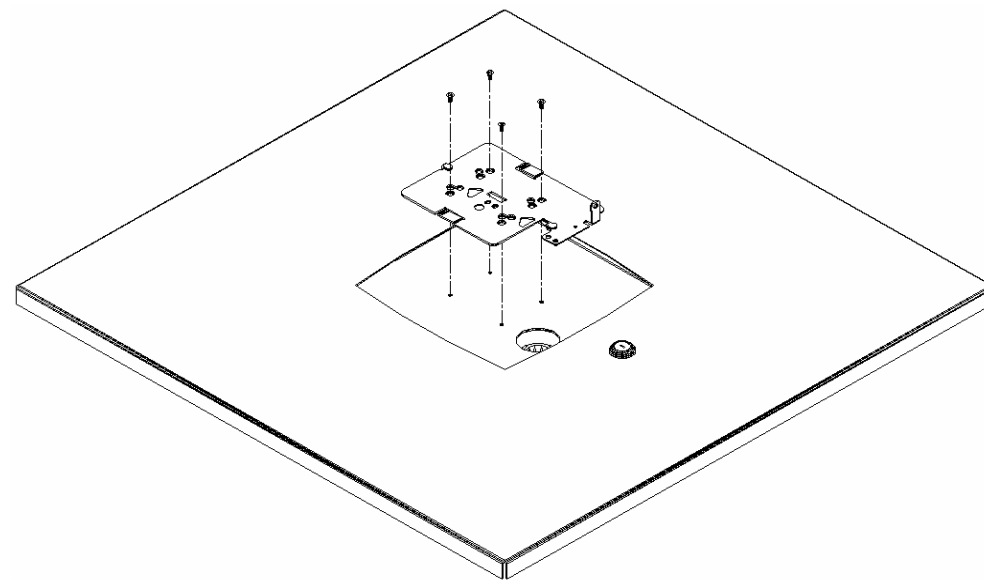


Figure 2 – Installation of the Cisco Mounting Plate

Step 4 – Insert the key into the lock and turn the lock 180° in both directions to determine which way the slide needs to be moved so that the mounting plate is moved to the position where it is located closest to the key lock.

NOTE: The Cisco 1130 AP is locked into the AP mount using the key. The turning of the key activates a cam mechanism that slides the mounting plate underneath the access point, thus, locking the tabs of the mounting plate into the key hole shaped slots on the bottom of the access point. Once the access point is installed and the key removed, the access point is securely mounted in the AP mount and cannot be removed without the key. Additional security measures as described in Cisco's *Installation Guide* (i.e. padlocks, security screws, and security hasp) are not required.

Step 5 – Open the access door on the top of the Cisco 1130 access point. Place the access point in the opening of the AP mount (reference Figure 4) with the opening in the access door closest to the key lock. If the key is turned the proper direction, the access point should drop in and self-center itself so that the tab on the mounting plate falls into the key slots on the bottom of the mounting plate (reference Figure 5).

**NOTE:** If the tab and key slot do not align properly, turn the key 180° and repeat step 5.

Step 6 – After verifying that the access point is properly seated within the opening, turn the key 180° to lock the Access Point in place. The key should require minimal effort to turn. If excessive force is required to turn the key, verify that the access point is properly seated within the opening and then re-try turning the key.

The assembled unit is now ready for ceiling installation.

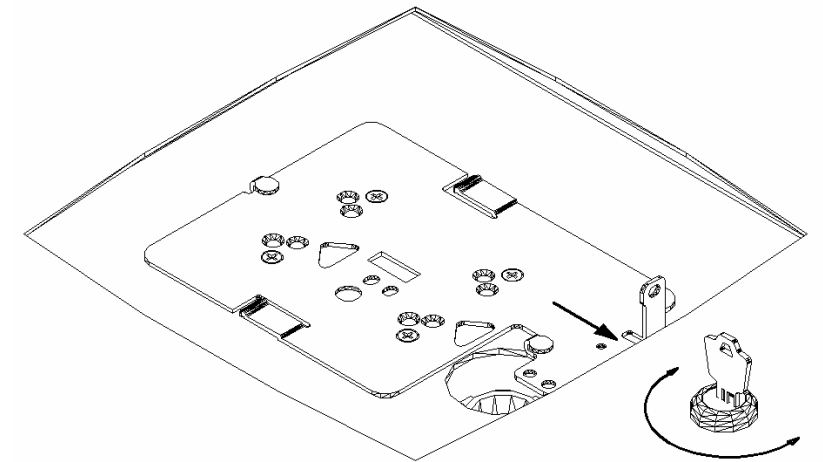


Figure 3 - Verify proper key/mounting plate orientation

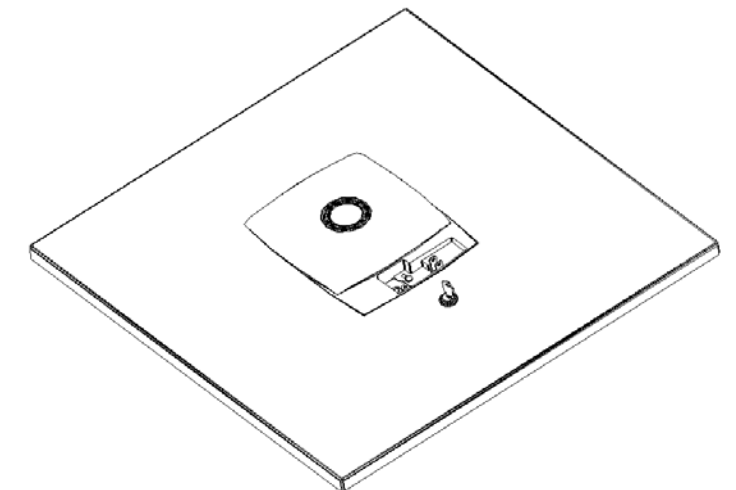


Figure 4 - AP Installation

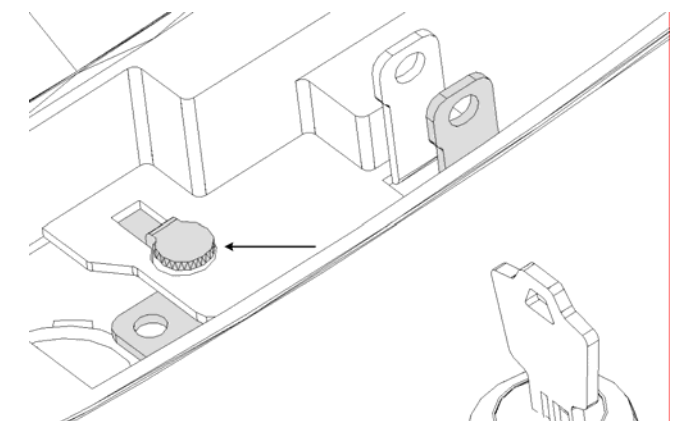


Figure 5 - Close-up showing proper seating of tab within key slot (Cisco mounting plate shown in gray)

Step 7 – Remove the ceiling tile and replace it with the completed *AP mount* assembly.

Step 8 – Use minimum 12-gauge grid wire to attach the *AP mount* to the ceiling. Attach one end of the wire to the *eyebolts* and the other end to a permanent structure within the ceiling such as a ceiling joist.

**⚠\*\*IMPORTANT\*\* - This is an important safety feature that could prevent human injury or damage to the access point should the unit become dislodged from the ceiling.**

Step 9 – Run the data and power cable (if required) through the cable clamp located on back of the *access point mount*.

Step 10 – Attach data and power cables to the *access point* from the front side of the *AP mount*, per Cisco's instructions, and then tighten the screws on the cable clamp.

Step 11 – If additional anti-theft measures are desired, the Model 1060 is equipped with a security hasp, located on the back of the *AP mount*, that can be used to attach it to a permanent structure within the ceiling. The hasp will accept most standard locking devices (i.e. pad locks, bicycle type locks, etc.).

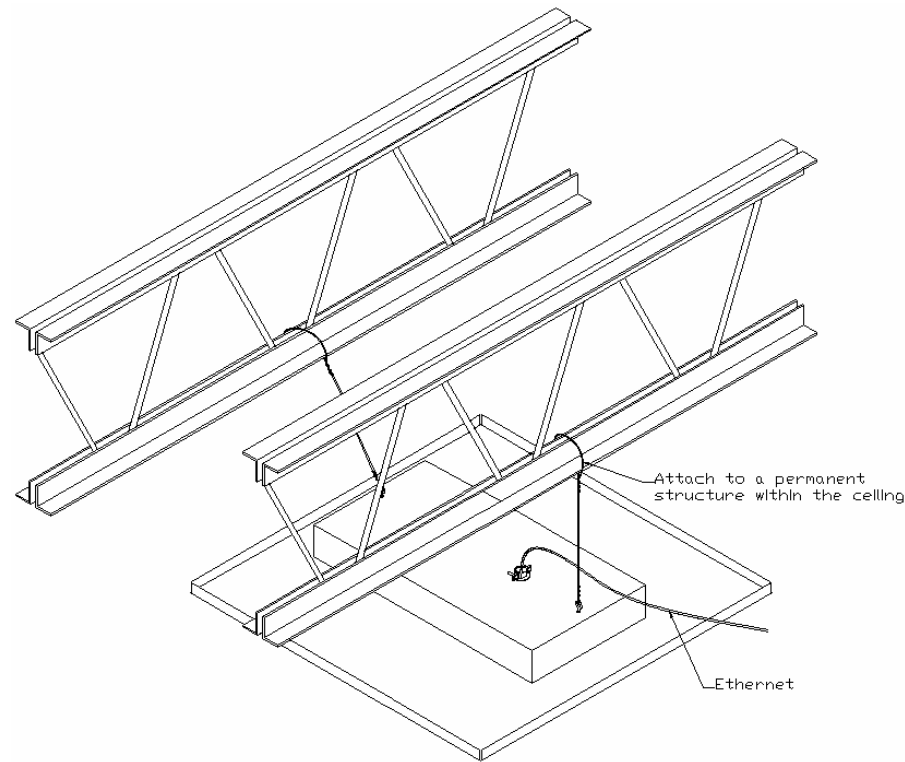


Figure 6 - Installation of grid wires and Ethernet cable.

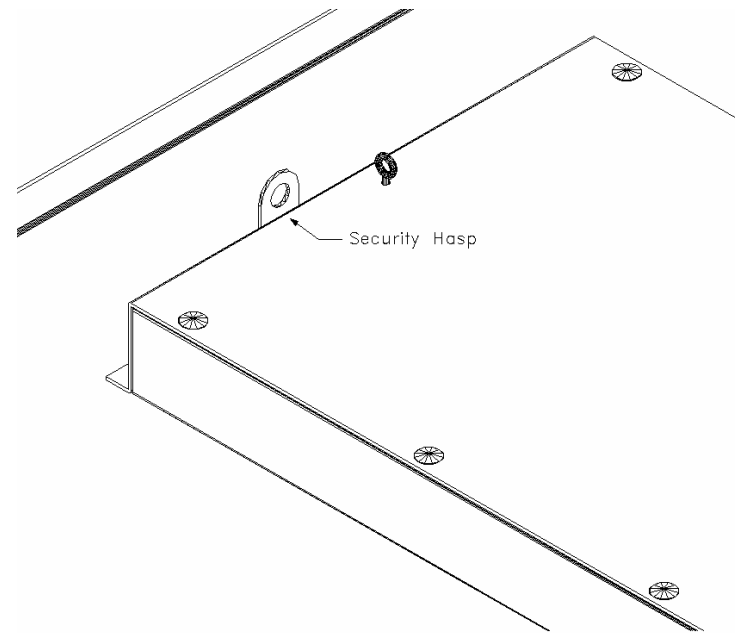
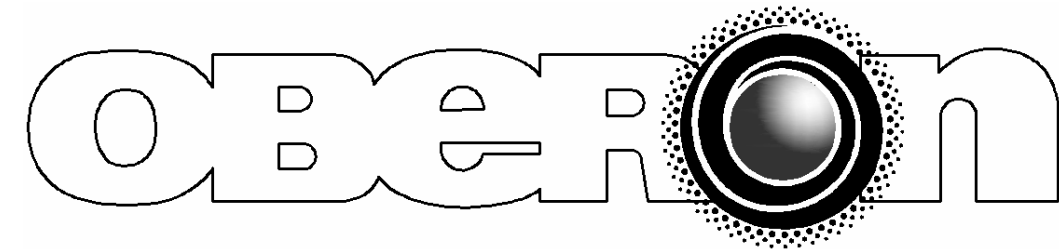


Figure 7 - Security hasp.



## MODEL 1060-00

### Installation Instructions

## \*\*\*\* WARNING \*\*\*\*

**Please thoroughly read the product warning below before installation to provide for a safe work environment.**

1. Support guide wires must be used for the installation of this product. Acoustical Ceiling grid work is not designed to support the weight of the enclosure. Two holes placed in the back of the enclosure are provided for the installation of eye bolts. Supporting guide wires should be attached to these eye bolts.
2. When closing the enclosure access door, be sure that the cam lock is completely engaged to prevent the access door from accidentally swinging open.
3. When opening the enclosure door, be sure to support the door to prevent the door from accidentally falling open.