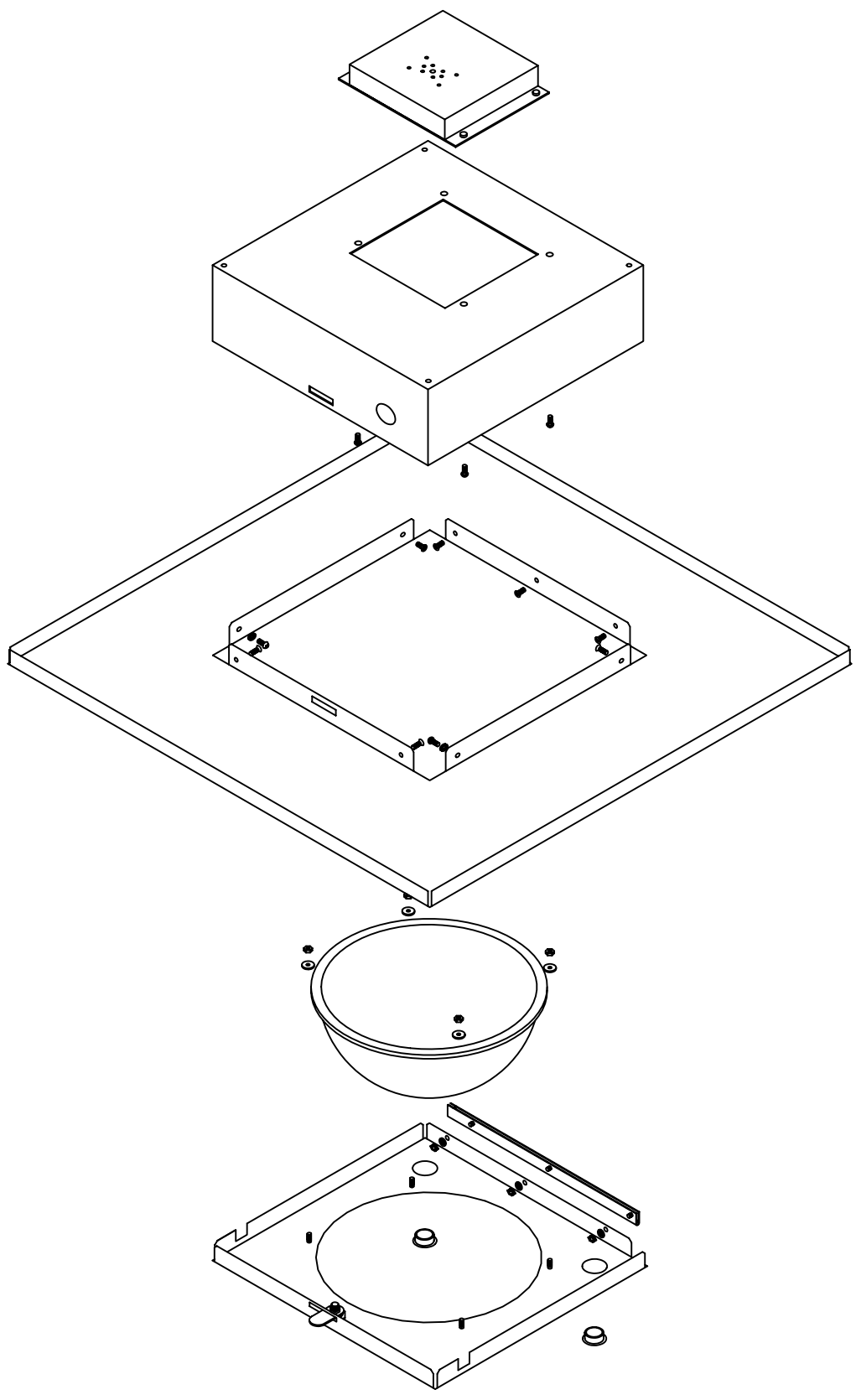


NOTE:  
 1. Material: Support - 14 Ga. Aluminum  
 Door - 14 Ga. Steel  
 Back Box - 16 Ga. Steel  
 Dome - Acrylic Plastic, Smoke  
 2. Finish: White Powder Coat

Dimensional Tolerances unless otherwise specified: .x - ±.030" .xx - ±.015" .xxx - ±.005" Angles - ±1/2'		Oberon, Inc. 1315 South Allen Street Suite 410 State College, PA 16801	
		Access Point Enclosure 2 X 2 Ceiling Dome Enclosure	
SIZE	DWN. BY	RLC	DWG NO.
	DATE	1/10/05	1055-00
SCALE 1:1			REV 1
			SHEET 1 OF 2



Dimensional Tolerances unless otherwise specified: .x - ±.030" .xx - ±.015" .xxx - ±.005" Angles - ±1/2°	Oberon, Inc. 1315 South Allen Street Suite 410 State College, PA 16801		
	Access Point Enclosure 2 X 2 Ceiling Dome Enclosure		
	SIZE DATE 1/10/05	DWN. BY RLC	DWG NO. 1055-00
SCALE 1:1			SHEET 2 OF 2