

Installation Instructions

Model Number 1053-00

Assembly Components:

- Ceiling enclosure Model 1050-00 assembly – 1 each
- #6 – 32 eye bolt – 4 each
- 3/4" Trade size cable clamps – 2 each
- #4 – 402 screw – 4 each
- Installation Instructions – 1 each
- Keys for access door lock – 2 each

If any of these items are missing, contact your Oberon representative.

Find a flat work surface to assemble the *ceiling enclosure*, *access point* and *antenna(s)* prior to mounting in ceiling.

Step 1 – Place the *ceiling enclosure assembly* on the work surface with the keyed doorway unlocked. Install the 4 eye bolts from the topside of the access point enclosure into the captive nuts. The eye bolts will be used to secure the enclosure with grid wires.

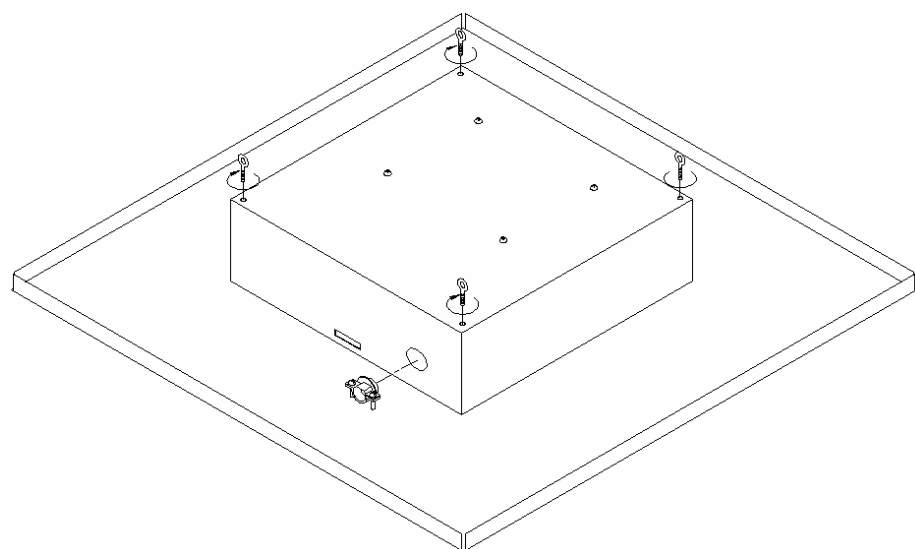


Figure 1 – Installation of eyebolts and cable clamps

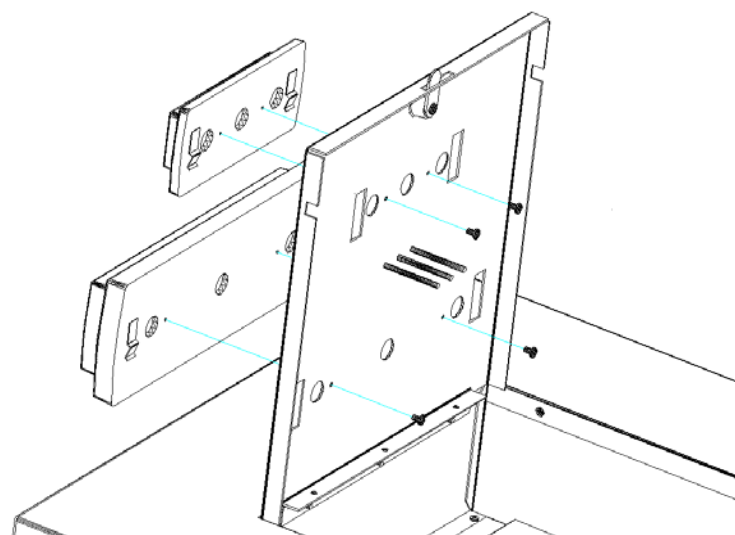


Figure 2 - Installation of Cisco Antennas.

Step 2 – Install Cisco 2.4 GHz and 5 GHz antennas by inserting the connectors and cables through the .700" dia. holes in the cover. The antennas should be installed so that the open ends of the T-Bar clips on the antennas are facing toward the hinge of the enclosure. After the cables have been pulled through the door, use the #4-40 screws to connect the antennas as shown in Figure 2.

****NOTE:** The enclosure has a locking mounting plate that will accommodate the Cisco 1250 AP. The Cisco supplied mounting plate is not used in the installation to the Oberon 1053-00 enclosure. Also, the latching mechanism on the bottom of the Cisco 1250 AP should be removed prior to installation of the access point in the 1053-00 enclosure. The Cisco latch can be removed by unscrewing the two screws that hold it in place.

Step 3 – Feed the Ethernet cable through the cable clamp and attach to the AP. Next, verify that the enclosure's locking plate is slid so that it is toward the outer wall of the enclosure. The AP should be aligned so that the three LEDs on the center panel are closest to the lock and the "Cisco Logo" is closest to the door hinge. Install the Cisco 1250 AP in the enclosure by aligning the feet of the access point with the key slots on the enclosure's mounting plate. Lower the AP onto the enclosure's mounting plate until you feel the AP's feet fall into the key slots (reference Figure 3).

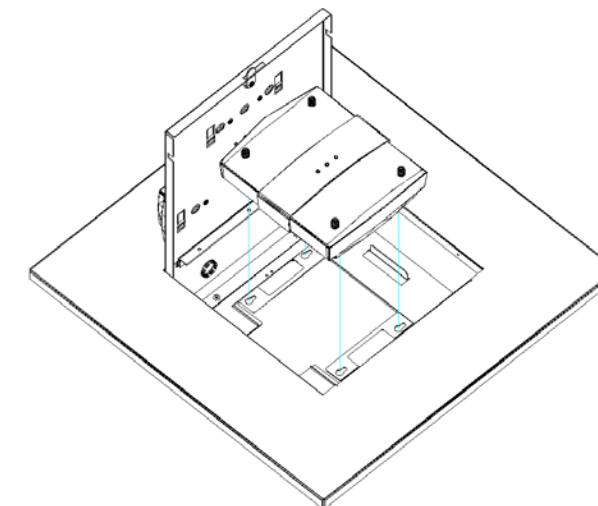


Figure 3 - AP Installation

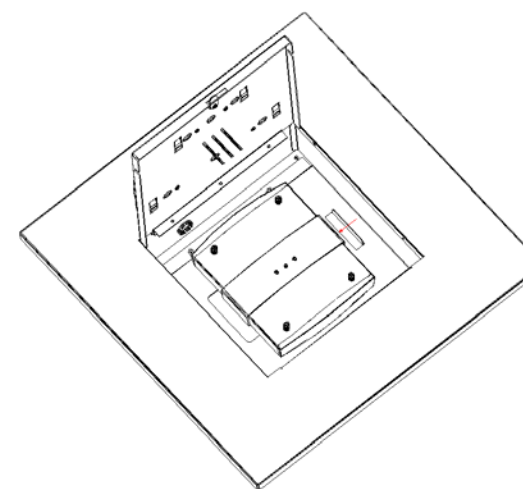


Figure 4 - Lock AP in Place

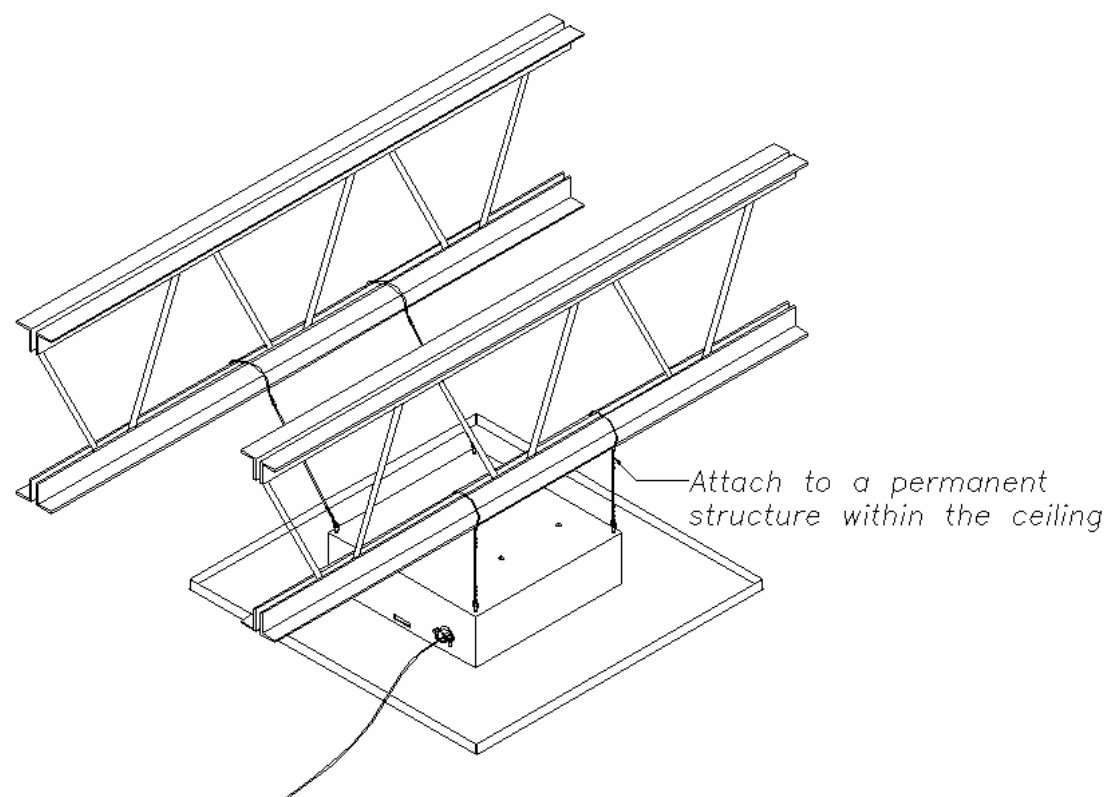
Step 4 – After the AP is set in the enclosure, lock it in place by sliding the enclosure's locking plate toward the AP until you feel it "click" (the locking plate will slide approximately 1/2"). Pull up on the AP to verify that it is properly latched. If you feel the AP lift from the enclosure, open the locking plate and adjust the AP so that all four feet fall into the key slots, then slide the locking plate back into position (reference Figure 4).

The assembled unit is now ready for ceiling installation.

Step 4 – Remove the ceiling tile and replace it with the completed *access point enclosure* assembly.

Step 5 – Use minimum 12-gauge grid wire to attach the *access point enclosure* to the ceiling. Attach one end of the wire to the *eye bolts* and the other end to a permanent structure within the ceiling such as a ceiling joist.

⚠IMPORTANT**** - This is an important safety feature that could prevent human injury or damage to the access point should the unit become dislodged from the ceiling.

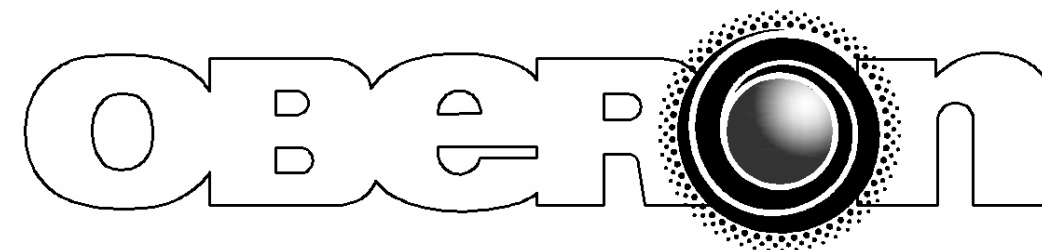


Step 6 – Run the data and power cable (if required) through the cable clamps located on sides of the *access point enclosure*. In order to maintain a separation of signal and power, install the data and power cables through opposite sides of the enclosure utilizing the two knock-outs provided.

Step 7 – Attach data and power cables to the *access point* through the access door then tighten the screws on the cable clamp.

Step 8 – Close and lock the access door. The installation is now completed.

The Oberon Model 1053-00 access point enclosure is specifically designed to be used with the Cisco 1250 AP.



MODEL 1053-00

Installation Instructions

**** WARNING ****

Please thoroughly read the product warning below before installation to provide for a safe work environment.

1. Support guide wires must be used for the installation of this product. Acoustical Ceiling grid work is not designed to support the weight of the enclosure. Four holes placed in the back of the enclosure are provided for the installation of eye bolts. Supporting guide wires should be attached to these eye bolts.
2. When closing the enclosure access door, be sure that the cam lock is completely engaged to prevent the access door from accidentally swinging open.
3. When opening the enclosure door, be sure to support the door to prevent the door from accidentally falling open.