

Installation Instructions

Model Number 1052-00

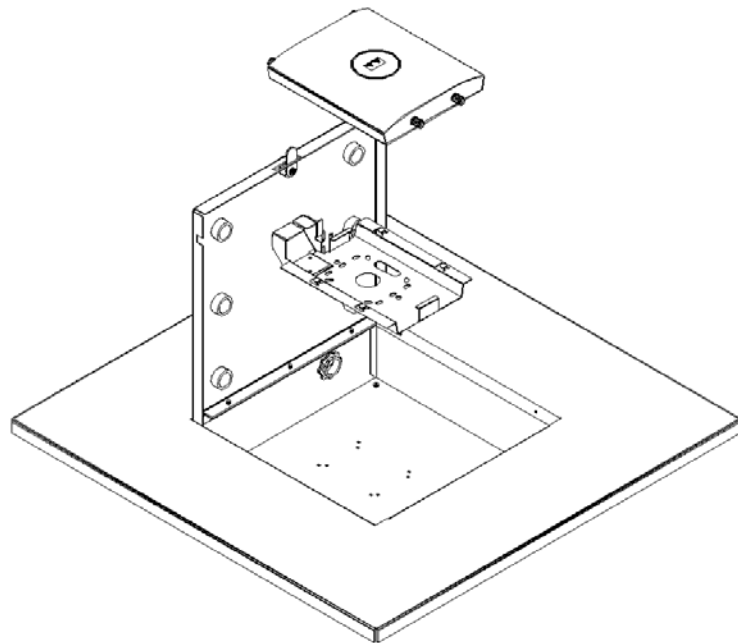
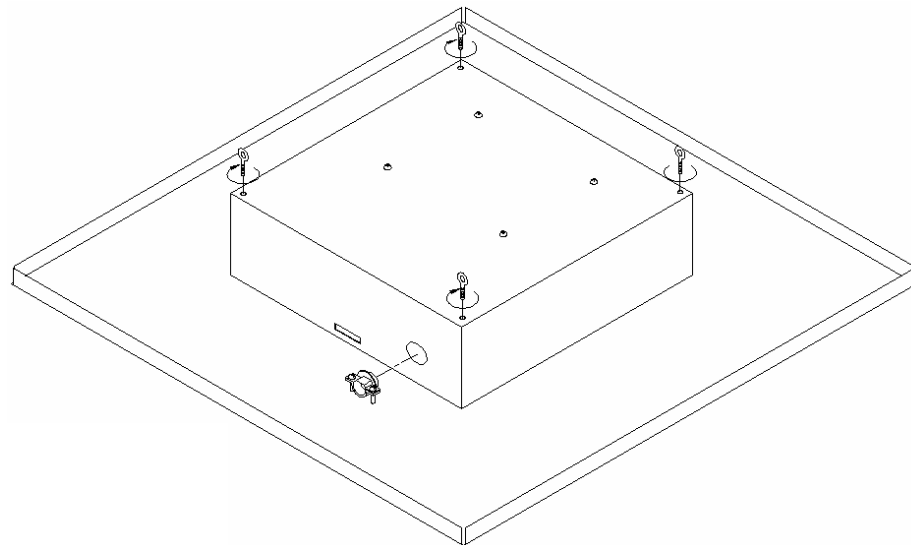
Assembly Components:

- Ceiling enclosure Model 1050-00 assembly – 1 each
- #6 – 32 eye bolt – 4 each
- 3/4" Trade size cable clamps – 2 each
- #8 - 32 screw – 4 each
- Installation Instructions – 1 each
- Keys for access door lock – 2 each

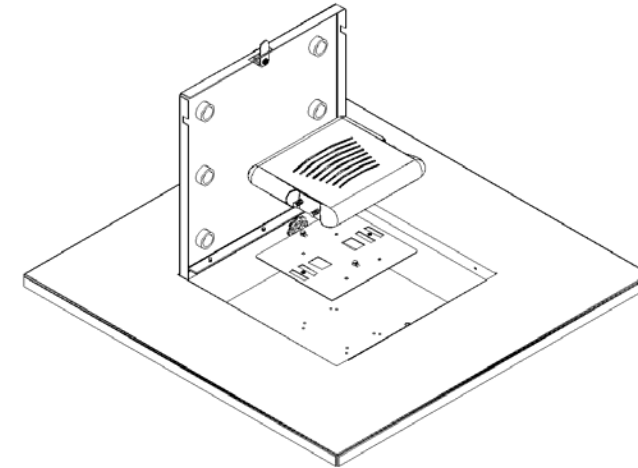
If any of these items are missing, contact your Oberon representative.

Find a flat work surface to assemble the *ceiling enclosure*, *access point* and *antenna(s)* prior to mounting in ceiling.

Step 1 – Place the *ceiling enclosure assembly* on the work surface with the keyed doorway unlocked. Install the 4 eye bolts from the topside of the access point enclosure into the captive nuts. The eye bolts will be used to secure the enclosure with grid wires.



Step 2 – (**Cisco AP's Only**) Install the access point so that the 802.11 b/g antenna connectors are facing toward the door hinge. Securely fasten the *access point's mounting plate* to the mounting holes on the back wall of the enclosure using (4) # 8-32 screws. Attach the screws to the **inner** hole pattern. Attach the *Access Point* to the mounting plate. Proceed to *Step 3*.



Step 2 – (**Aruba 70 AP Only**) Install the access point so that the four antenna connectors are facing toward the door lock. Securely fasten the *access point's mounting plate* to the mounting holes on the back wall of the enclosure using (4) # 8-32 screws. Attach the screws to the **outer** hole pattern. Attach the *Access Point* to the mounting plate. Proceed to *Step 3*.

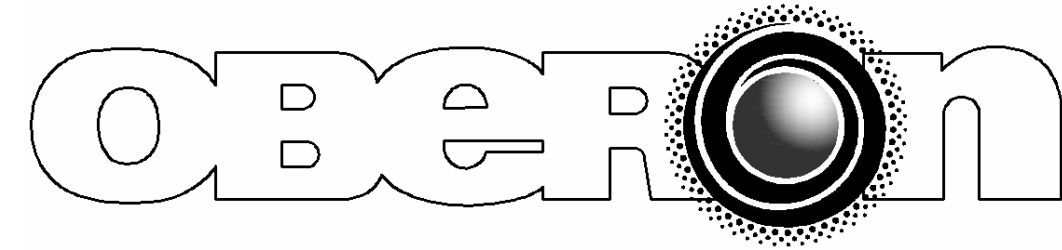
Step 3 – If applicable, install the antenna(s) per the instructions included with optional antenna kit. After installation, connect the *RF coax cable* from the *antenna* to the *access point*.

The assembled unit is now ready for ceiling installation.

Step 4 – Remove the ceiling tile and replace it with the completed *access point enclosure assembly*.

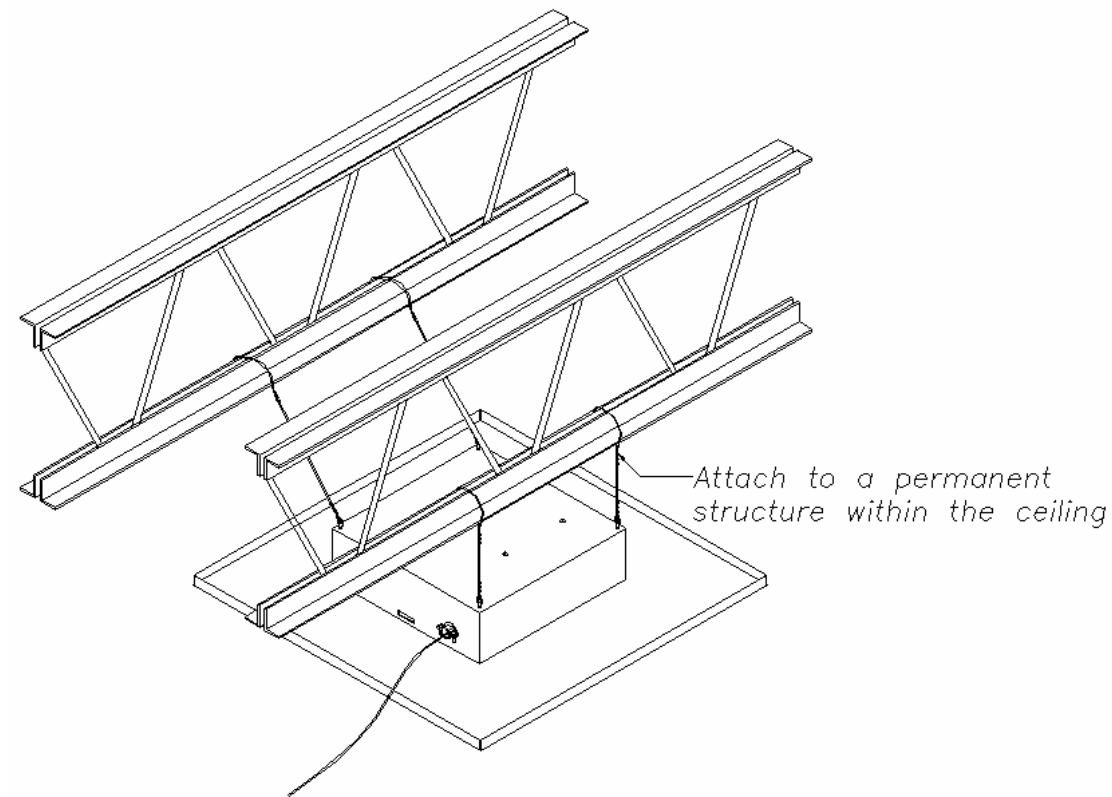
Step 5 – Use minimum 12-gauge grid wire to attach the *access point enclosure* to the ceiling. Attach one end of the wire to the *eye bolts* and the other end to a permanent structure within the ceiling such as a ceiling joist.

⚠IMPORTANT** - This is an important safety feature that could prevent human injury or damage to the access point should the unit become dislodged from the ceiling.**



MODEL 1052-00

Installation Instructions



Step 6 – Run the data and power cable (if required) through the cable clamps located on sides of the *access point enclosure*. In order to maintain a separation of signal and power, install the data and power cables through opposite sides of the enclosure utilizing the two knock-outs provided.

Step 7 – Attach data and power cables to the *access point* through the access door then tighten the screws on the cable clamp.

Step 8 – Close and lock the access door. The installation is now completed.

The Oberon Model 1052-00 access point enclosure is specifically designed to be used with the Cisco 1230, 1231, 1232, and 1242 and the Aruba 70 access points.

**** WARNING ****

Please thoroughly read the product warning below before installation to provide for a safe work environment.

1. Support guide wires must be used for the installation of this product. Acoustical Ceiling grid work is not designed to support the weight of the enclosure. Four holes placed in the back of the enclosure are provided for the installation of eye bolts. Supporting guide wires should be attached to these eye bolts.
2. When closing the enclosure access door, be sure that the cam lock is completely engaged to prevent the access door from accidentally swinging open.
3. When opening the enclosure door, be sure to support the door to prevent the door from accidentally falling open.