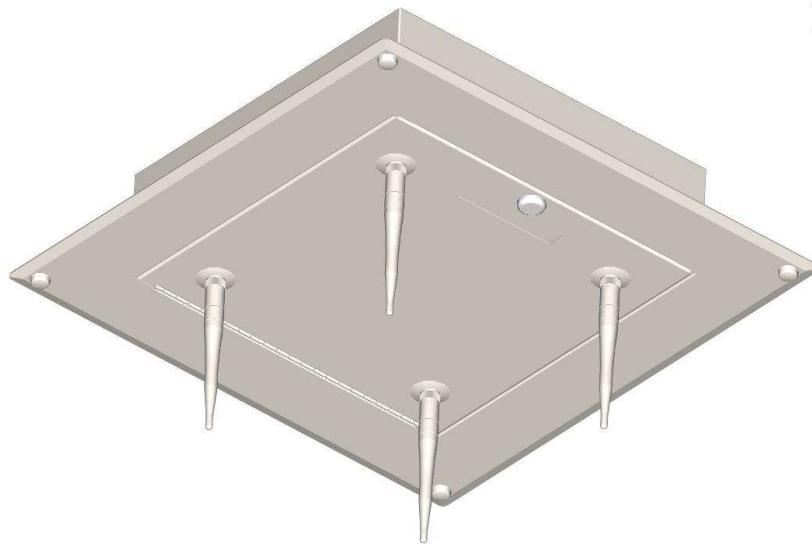


The model 1027-00 wireless LAN access point enclosure is a locking, "hard-lid" ceiling enclosure, designed to accommodate one access point from most manufacturers. This aesthetic, white powder coated steel enclosure has openings in the door for up to four antennas. The enclosure requires an opening in the ceiling to be created for the back box, and the flange is then fastened to the ceiling.



Model 1027-00 shown with (4) dipole antennas (not included) mounted on optional bulkhead feed-through (Oberon part number: 35-BULKHD-KIT)

Specifications:

- Designed for installation in "hard-lid" ceilings (drywall, plaster, etc.)
- Internal universal mounting plate accommodates access points from most manufacturers
- UL Listed and designed to meet NEC300-22 and 300-23 for plenum installations
- OSHPD approved, OPA # 1638
- Antennas may be mounted on the door using optional bulkhead connectors (Oberon P/N 35-BULKHD-KIT) or Oberon 34-ZDUAL antennas
- Construction: 18 gauge, textured white powder coated steel
- Fully hinged locking door, keyed alike
- Size: Flange is 17.5" x 17.5", enclosure is 12" x 12" x 3.75" deep, 3.25" useful depth with universal mounting plate in place
- Weight: 11 lbs

Model 1027-00 includes:

- Universal mounting plate for most manufacturers access point, mounting screws & hardware
- (2) 3/4" trade clamp connectors for power and data cable openings in the back-box
- (4) White cosmetic screw caps for #10 ceiling attachment screws (not included)
- Mounting Instructions