

# Installation Instructions

Model Number 1027-00

## Assembly Components:

- Ceiling enclosure Model 1027-00 assembly – 1 each
- #8 - 32 screw – 4 each
- Decorative screw covers – 4 each
- Mounting hole legend – 1 each
- Keys for access door lock – 2 each

If any of these items are missing, contact your Oberon representative.

Find a flat work surface to assemble the *ceiling enclosure*, *access point* and *antenna(s)* prior to mounting in ceiling.

Step 1 – Remove the metal hole cover(s) and install clamp connector(s). Use two clamp connectors if both power and data lines are to be installed. If only a data line is required (when using power over Ethernet), only one clamp connector will be required (Reference *Figure 1*).

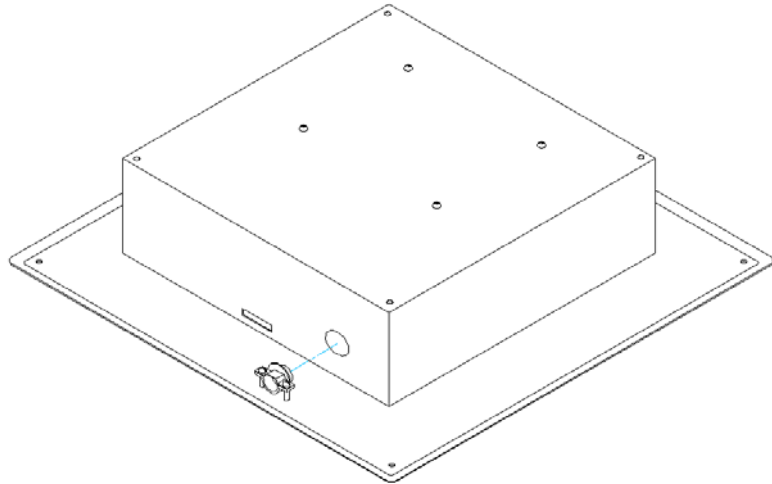


Figure 1 - Cable clamp installation.

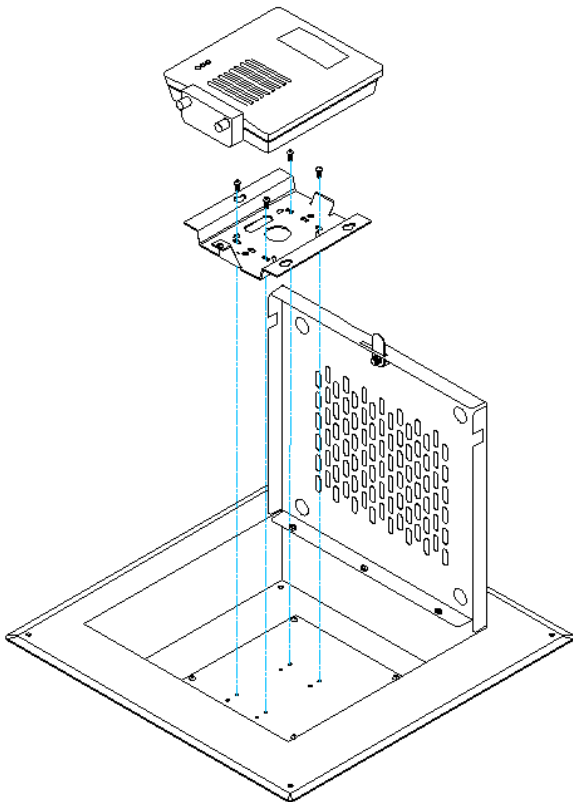


Figure 2 - Install access point.

Step 2 – A mounting plate is provided that supports most commonly used access points. Install the access point in the enclosure by attaching per the manufacturers instructions (Reference *Figure 2*).

For specific hole locations for various manufacturers access points, reference the mounting plate legend provided with the enclosure.

Step 3 – If applicable, install the antenna(s) per the instructions included with optional antenna kit. After installation, connect the *RF coax* cable from the *antenna* to the *access point*.

The assembled unit is now ready for wall or ceiling installation.

# Installation Instructions

Model Number 1027-00

Step 4 – To prepare the wall/ceiling for installation, cut a 14" X 14" square hole in the gypsum board (Reference *Figure 3*). The hole should be located centrally between two adjacent studs/joists. There must be a minimum of 4" of free space available behind the wall to allow for clearance of the enclosure.

Note: Take proper safety precautions as many wall/ceiling areas may have electrical or plumbing located behind them.

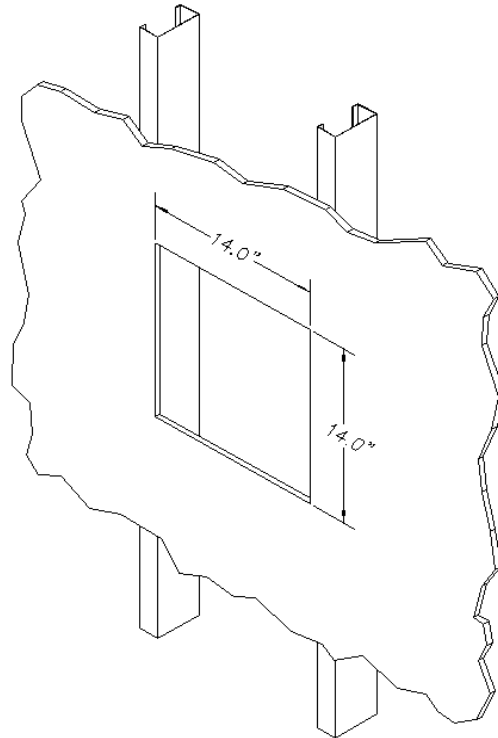


Figure 3 - Prepare wall or ceiling by cutting 14" X 14" opening.

## WALL MOUNTING:

Step 5 – To install the enclosure in the wall, bring the data and, if required power lines into the enclosure through the cable clamps.

Position the enclosure so that the mounting holes are centrally located with the studs (Reference *Figure 4*).

For metal studs, use #10 sheet metal screws (or, for wood studs, use #10 wood screws). The screws should be a minimum of 1" in length.

Securely tighten the screws, being sure that the screw is inserted directly into the stud\*.

\*NOTE: Alternatively, if no studs are available for mounting, drywall anchors may be used.

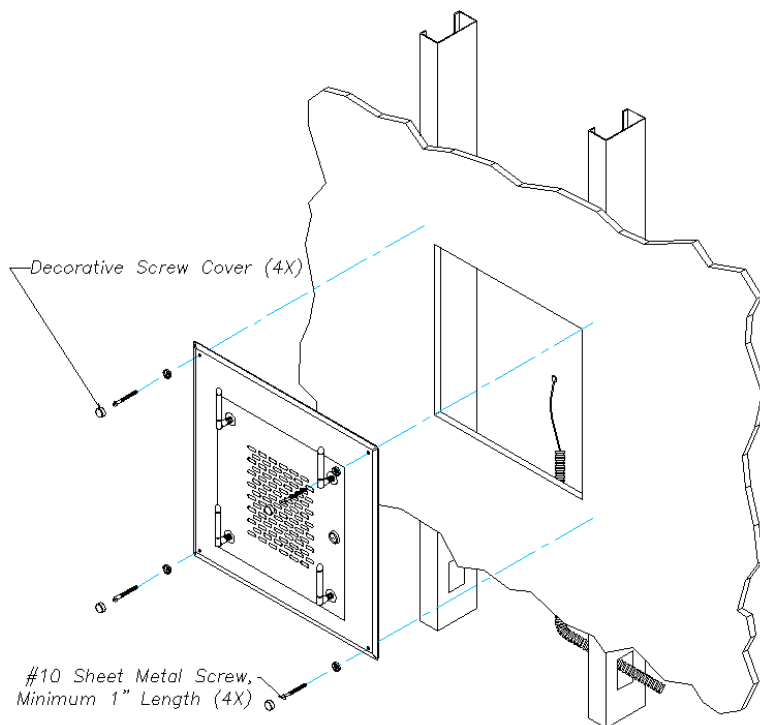


Figure 4 - Wall installation.

# Installation Instructions

Model Number 1027-00

## CEILING MOUNTING:

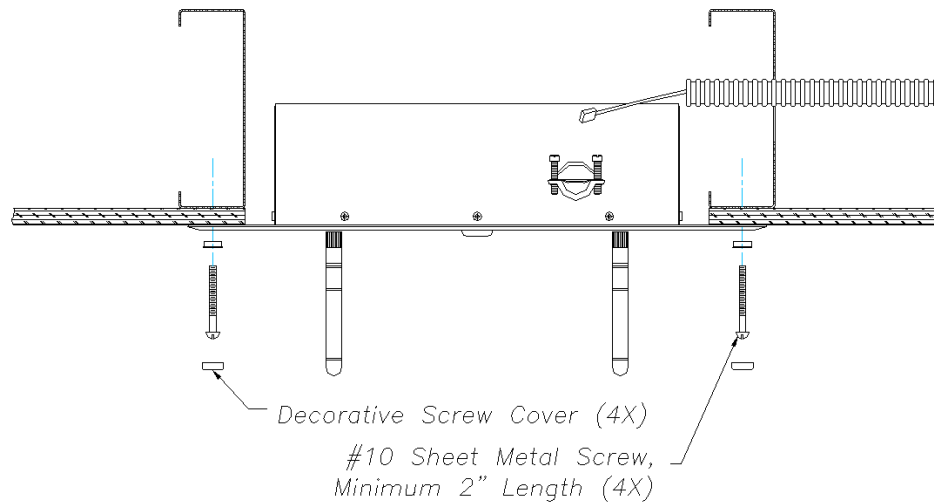
Step 6 – To install the enclosure in the ceiling, bring the data and, if required power lines into the enclosure through the cable clamps.

Position the enclosure so that the mounting holes are centrally located with the joists (Reference *Figure 5*).

For metal joists, use #10 sheet metal screws (or, for wood joists, use #10 wood screws). The screws should be a minimum of 2" in length.

Securely tighten the screws, being sure that the screw is inserted directly into the joist\*.

\*NOTE: Alternatively, if no joists are available for mounting, drywall anchors may be used.



**Figure 5 - Ceiling installation.**