

# Installation Instructions

Model Number 1023-00

## Assembly Components:

- Ceiling enclosure Model 1050-00 assembly – 1 each
- #6 – 32 eye bolt – 4 each
- ¼" Trade size cable clamps – 2 each
- #8 - 32 screw – 4 each
- Installation Instructions – 1 each
- Keys for access door lock – 2 each

If any of these items are missing, contact your Oberon representative.

Find a flat work surface to assemble the enclosure, access point's mounting plate, cable clamp, and antenna(s) prior to mounting on wall.

Step 1 – Place the enclosure assembly on the work surface with the keyed doorway unlocked. Remove the knockouts that are appropriate for the installation. The knockouts are to be used to install antennas and conduit cable clamp. The knockouts can be removed by placing a screwdriver along the edge of the edge of the knockout and tapping with a hammer. (NOTE: all knockouts should be removed from the outside of the enclosure)

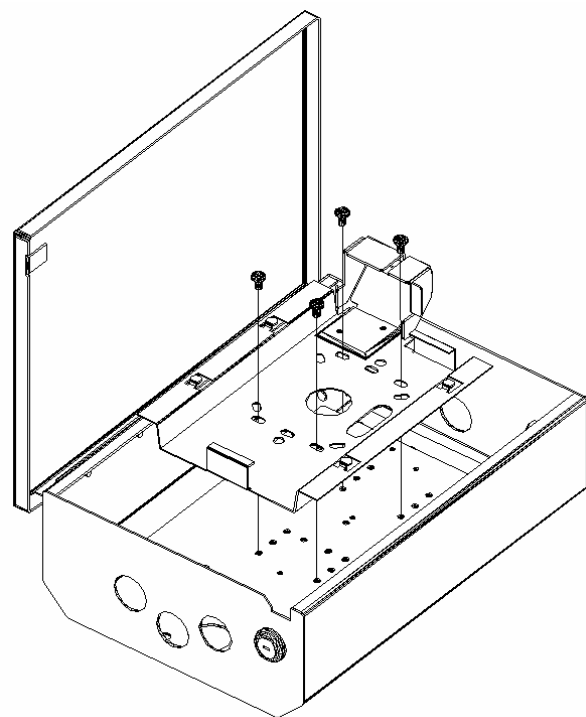


Figure 2

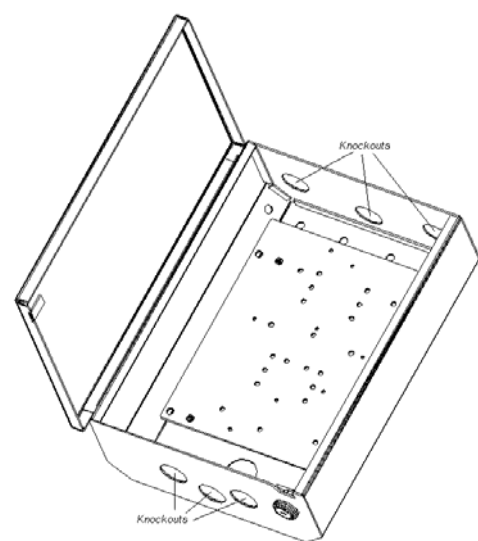


Figure 1

Step 2 – Use the *mounting hole legend* to determine the mounting hole locations for the type of *access point* chosen. Securely fasten the *access point's mounting plate* to the enclosure mounting plate using (4) # 8-32 screws as defined by the mounting hole legend.

Step 3 – If applicable, install the cable clamp and the antenna(s) per the instructions included with optional antenna kit.

The assembled unit is now ready for wall mounting.

Step 4 – Place the enclosure on the wall where it is to be installed (it is recommended that you mount directly to a stud). Mark the screw locations (note: there are several screw holes located in the back of the enclosure that are intended to be used for mounting purposes). Use a minimum of two (2) #10 x 2" or larger screws to secure the enclosure in place. However, if there is no stud at the mounting location, it is recommended that you use a minimum of 4 drywall anchors to secure the enclosure in place.

Step 5 – Run the data and power cable (if required) through the cable clamp located on either the top, back, or bottom of the enclosure. In order to maintain a separation of signal and power, install the data and power cables through opposite sides of the enclosure utilizing two of the knock-outs provided.

Step 7 – Attach data and power cables to the *access point* through the enclosure door then tighten the screws on the cable clamp.

Step 8 – Install the *access point* in the enclosure and attach the Ethernet and antenna cables as required.

Step 9 – Close and lock the access door. The installation is now completed.

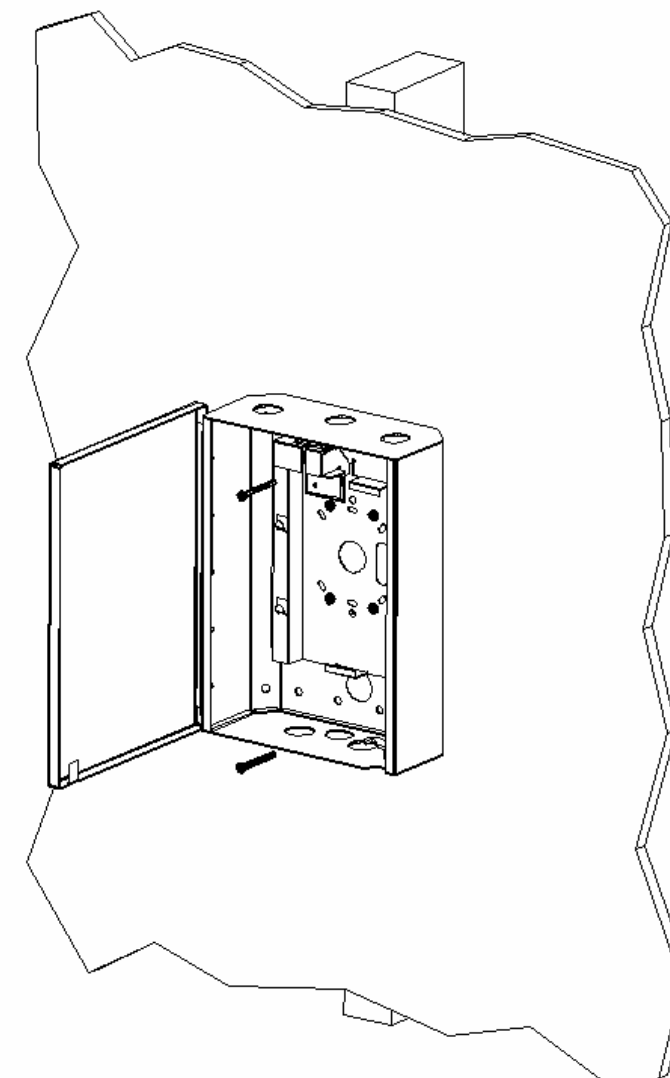
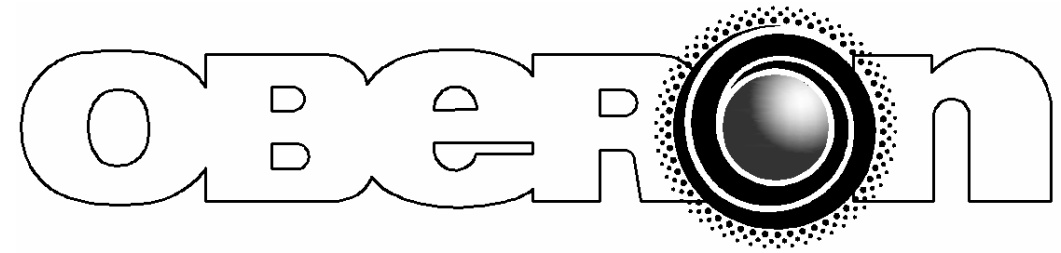


Figure 3



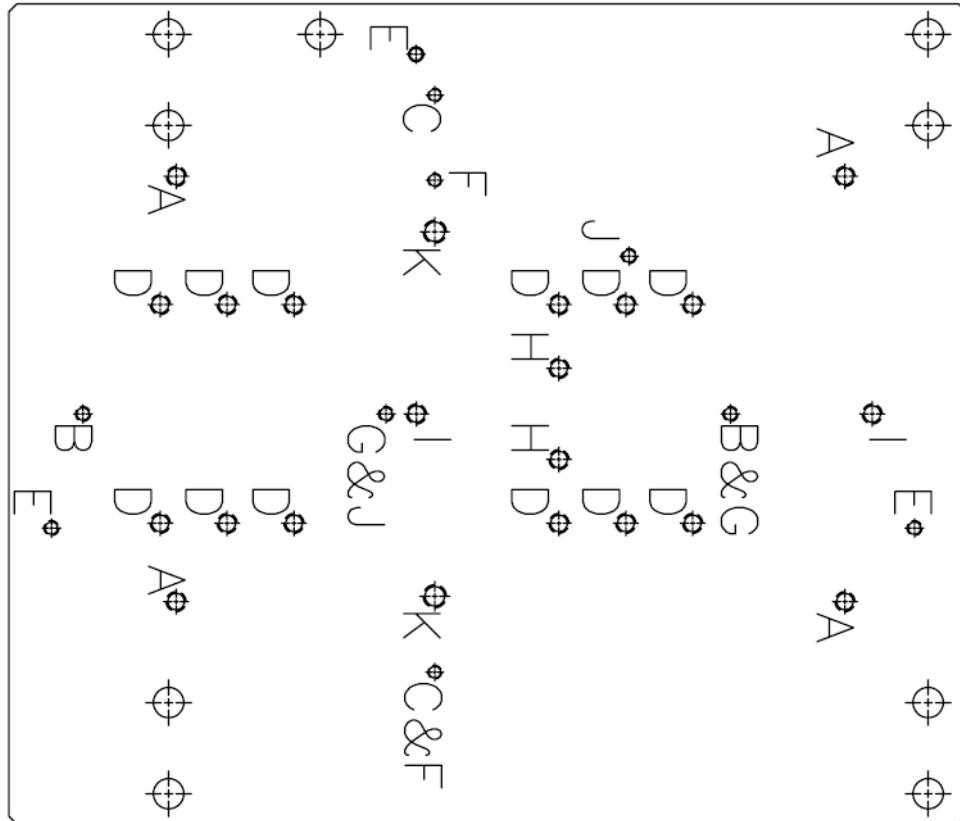
## MODEL 1023-00

### Installation Instructions

# \*\*\*\* WARNING \*\*\*\*

**Please thoroughly read the product warning below before installation to provide for a safe work environment.**

1. Always consider the hazard to other people:
  - a. During installation, use warning signs, etc.
  - b. Don't work with people directly below the work area as equipment could fall and cause an injury
2. Be sure to securely fasten the enclosure to the wall or ceiling to prevent the enclosure from becoming dislodged.



Mounting hole legend.

- A – Cisco AP350
- B – Netgear
- C – Cisco AIR-WGB350
- D – Cisco AP1242 & AP1200 and BlueSocket
- E – Orinoco AP-2000
- F – Newbury
- G – Secnet 11
- H – Chantry Networks BeaconPoint BP200
- I – AirMagnet Sensor
- J – Orinoco AP-4000
- K – Cisco 1000