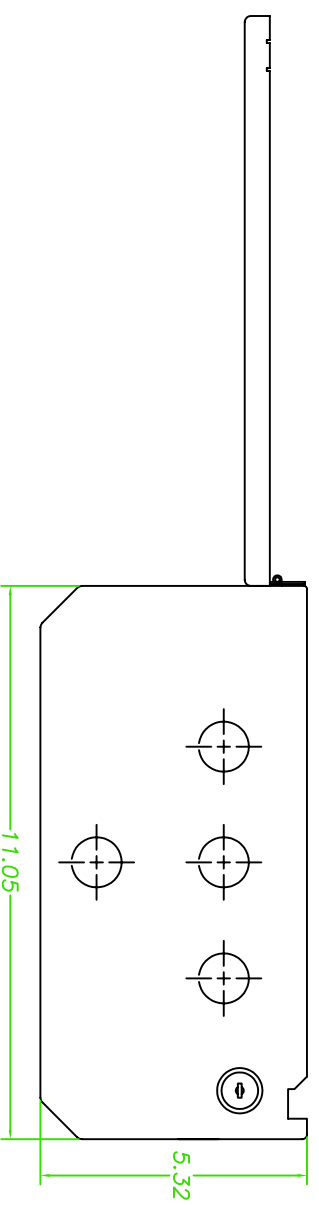
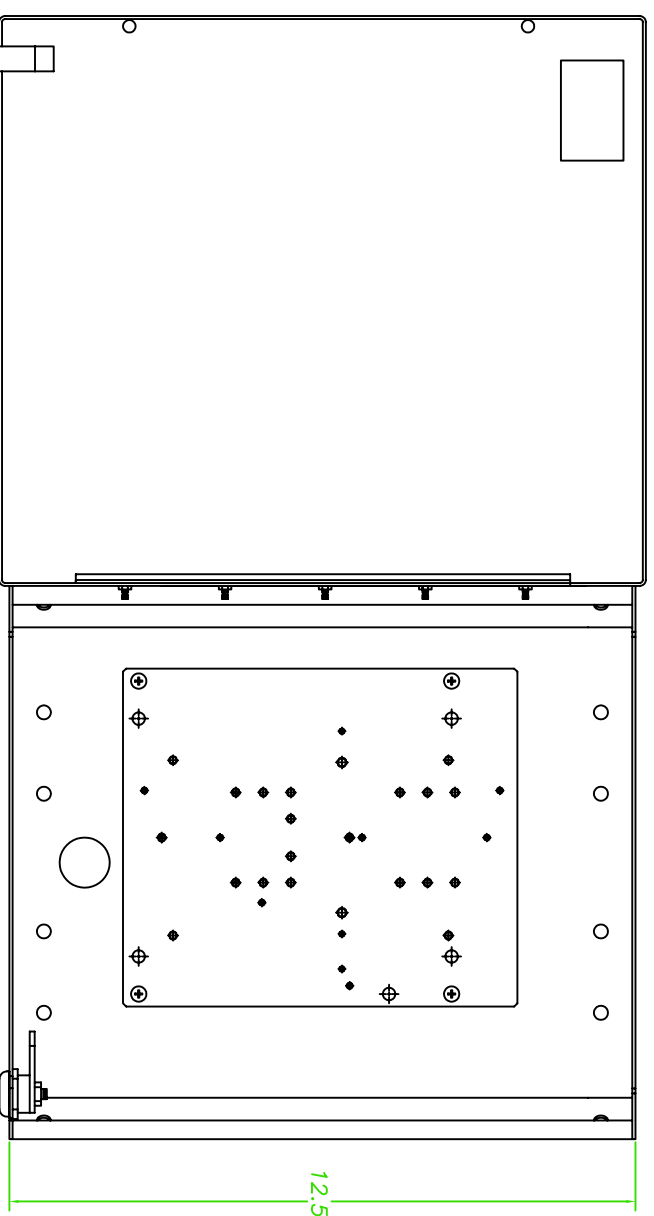
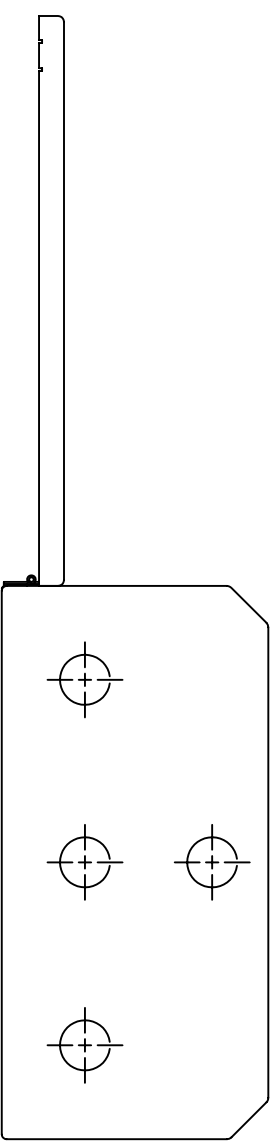


REVISIONS				
ZONE	REV	DESCRIPTION	DATE	APPROVED



4

4

3

3

2

2

11.05

5.32

12.50

- NOTE:**
1. Material: Back Box – 18 Ga. Steel
Door – 16 Ga. Steel
 2. Finish: Off-White Powder Coat
 3. Weight: 6 lbs.

DIMENSIONAL TOLERANCES:
 0 = ± .030
 .00 = ± .015
 .000 = ± .005
 Angles = ± 1°

Oberron, Inc
 1315 S. Allen Street
 State College, PA 16801
 Wall Mounted AP Enclosure
 Model 1022-00

SIZE	DATE	DWG NO.	REV
C	6/26/08	1022-00	2
SCALE	DRAWN BY	RLC	SHEET
1			1 of 1